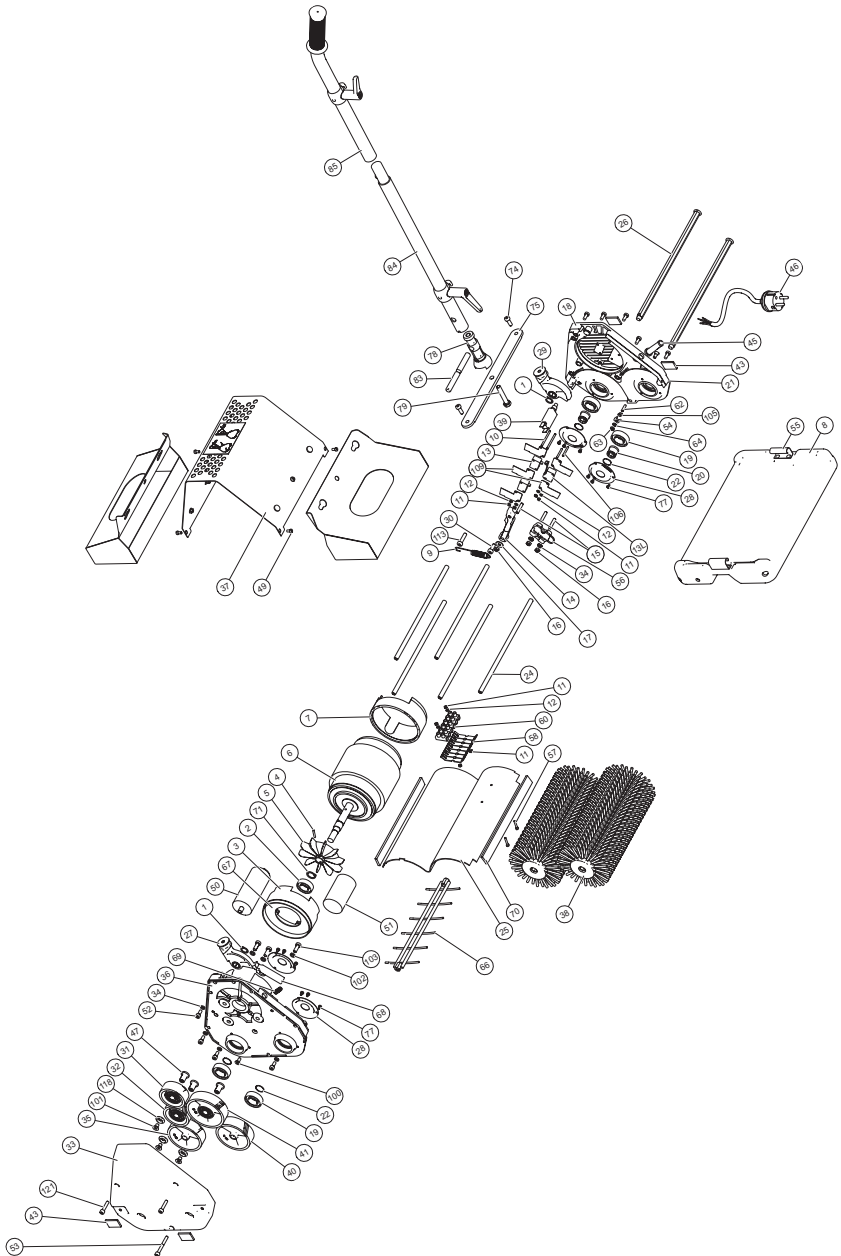
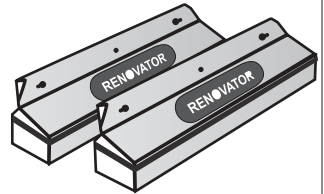


# BRUSH PRO 10

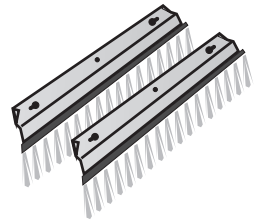


# BRUSH PRO 10 Spare parts list

Part #	Description	Part #	Description
<b>BRUSH PRO 10</b>			
E 1	Snapping A12	E 54	Clamp strip
E 2	Ball bearing 6002 2 Rs	E 55	Clip trolley incl. 2 blind rivets
E 3-3	Distancepiece G	E 56	Cable clamp
E 4	Split pin	E 57	Cylinder head screw
E 5	Ventilator	E 58	Wire fixing plate
E 6-3	Motor RBF 0,18/2-7PR	E 60	Terminal EKL 1
E 7-3	Distancepiece E	E 62	Wormscrew
E 8-3	Transport tray	E 63	Nut
E 9	Extension spring	E 64	Lock washer
E 10	Worm screw	E 66-3	Cableprotector
E 11	Nut	E 67	Blind
E 12	Spring ring	E 68	Handle stop
E 13	Microswitch	E 69	Handle stop-spring
E 13L	Microswitch with lever	E 70-3	Foamed plastic strip
E 14	Switchpart	E 71	Snapping A 15
E 15	Worm screw	E 74	Split in
E 16	Nut	E 75-3	Flatbar
E 17	Washer	E 77	Screw for protective plat
E 18	Screw for housing unit	E 78-3	Plastic handle base
E 19	Ball bearing 6003	E 79-3	Screw M8 x 45
E 20	Flange	E 83-3	Fixing bar for handle
E 21	Housing unit E cpl.	E 84-3	TM3 handle lower part
E 22	Retainingring A 17	E 85-3	TM3 handle upper part
E 24-3	Motorstud	E 88-3	Handle cpl.
E 25-3	Brushcover	E 100	Cylinder head screw
E 26-3	Brush axle	E 101	screw
E 27	Handle connector lower part	E 102	Spring ring
E 28	Protective plat	E 103	Cylinder head screw
E 29	Handle connector lower part	E 105	Clamp washer
E 30	Screw M6x16	E 106	Worm screw
E 31	Gear 48 right	E 109	Isolation plate
E 32	Gear 48 left	E 113	Cylinder head screw
E 33	Gearcover	E 117	Screw
E 34	Lockwasher	E 118	Snapping A 10
E 35	Gear 66 right	E 120	Screw M6x16
E 36	Housing unit G cpl.	E 121	Cylinder head screw
E 37-3	Motor cover	E 126	360° rotating cabelholder
E 38	Brushes	E 136	Wheel for brushcover exterior cpl.
E 39-3	Thermorelay	E 151	Nut and bolt for Renovator
E 40	Gear 66 left		
E 41	Gear 73 right		
E 43	Bumper		
E 45	Grommet		
E 46	Cable		
E 47	Bearingpin		
E 49	Cylinder head screw		
E 50	Run Capacitor		
E 51	Start Capacitor		
E 52	Cylinder head screw		
E 53	Cylinder head screw		



X 3b



X 3c



B352 / B354 / B350