

# SQUARE SCRUB<sup>®</sup> Owner's Manual

## EBG SERIES SURFACE PREPARATION MACHINES

EBG-20/Q • EBG-20/C • EBG-28  
EBG-20/R • EBG-28/R • EBG-28/H



## SQUARE SCRUB EBG SERIES SURFACE PREPARATION MACHINES

### Owner's Manual About the Square Scrub Floor Surface Preparation Machine

Square Scrub's EBG machines are American Made. Our EBG Surface Preparation machines offer removable weights, a minimum 1.5hp, 1725rpm motor, powder coated 10 gauge steel, heavy duty frame, and 6"x2" non-marking ball-bearing wheels with a heavy duty 3/4" solid steel axle. Removable weights not only make our machine easy to transport but allow users to tailor the weight to suit their project needs.

With a selection of over 30 different surface preparation pads, there really is only one machine for the job. The Square Scrub EBG Surface Preparation Machines are designed to make the most efficient use of every pad, paper or screen used with the machine, saving both time and MONEY.

Please visit our Web site at [www.squarescrub.com](http://www.squarescrub.com) for informative videos and literature.

### Contents

- Introduction
- Manual Conventions
- Safety / Important
- Machine Transport
- Operating Instructions
- Troubleshooting Guide
- Parts Breakdown
- Warranty Information
- Pad Information



## Introduction

You are now the proud owner of an EBG-Series machine. This machine is a product of Square Scrub Inc. It is made of fine materials and will give you many years of satisfactory service if maintained and used according to the guidelines in this owner's manual.

**Please read all Installation, Operation, and Safety Instructions before using this machine.**

This product is for Industrial/Institutional/Commercial Use Only.

### WARNING OF POTENTIAL INJURY!

### MOVING PARTS! UNPLUG BEFORE SERVICING!

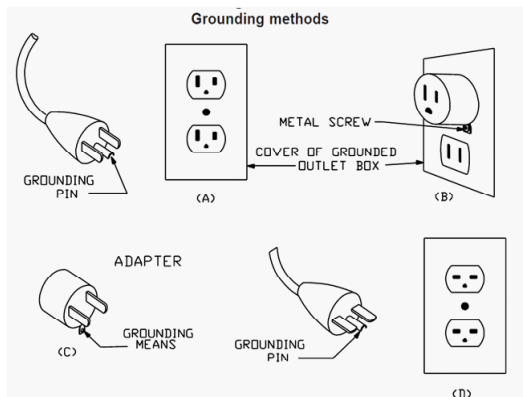
This product contains moving parts. To reduce the risk of injury, unplug before servicing.

#### General Safety

- This floor-finishing machine shall be grounded while in use to protect the operator from electric shock. The machine is provided with a three-conductor cord and a three-contact grounding type attachment plug to fit the proper grounding type receptacle. The green (or green and yellow) conductor in the cord is the grounding wire. Never connect this wire to anything other than the grounding pin of the attachment plug.
- This machine is for use on a nominal 120-volt circuit and has a grounding plug that resembles the plug in figure 1. Make sure that the machine is connected to an outlet having the same configuration as the plug.

**No adapter should be used with this machine.**

figure 1



## Manual Conventions

**Danger:** Indicates an imminently hazardous situation which, if not avoided, may result in death or serious injury.

**Caution:** Indicates that machine or property damage could result if instructions are not followed.

**Note:** Provides helpful information.

*Severe bodily injury or death can occur to you or other personnel if warnings found on this machine or in this owner's manual are ignored. Read and observe all statements and instructions found on the machine and in the owner's manual.*

## Who to call for assistance

If you work with a Square Scrub-authorized distributor, contact them for assistance.

If any contents of the box are missing, contact your Square Scrub-authorized dealer, distributor or reseller. If you purchased your machine directly from Square Scrub, contact Square Scrub at 1.800.557.6822 for service in the United States and Canada. For worldwide service, call Square Scrub directly at 870.930.9898. Make sure you have the machine's serial number, located on the back of the machine, when you call.

## Liability statement

This Square Scrub product has been built to the highest industry standards. Please note and heed the WARNING and CAUTION labels that have been placed on the equipment and in this manual for your safety. PLEASE DO NOT ATTEMPT TO OPERATE OR REPAIR THIS EQUIPMENT WITHOUT ADEQUATE TRAINING. ANY USE, OPERATION OR REPAIR IN CONTRAVENTION OF THIS DOCUMENT IS AT YOUR OWN RISK. BY ACCEPTANCE OF THIS SYSTEM YOU HEREBY ASSUME ALL LIABILITY CONSEQUENT TO YOUR USE OR MISUSE OF THIS EQUIPMENT. SQUARE SCRUB SHALL NOT BE LIABLE FOR ANY INCIDENTAL, INDIRECT, SPECIAL OR CONSEQUENTIAL DAMAGE OF ANY KIND. Equipment specifications, applications and options are subject to change at the sole discretion of Square Scrub without notice.

## Safety

All Square Scrub products are built to strict safety and reliability specifications in accordance with industry standards. Therefore, safety issues pertaining to operation and repair of Square Scrub equipment are primarily environmental and human interface. The following basic safety tips are given to ensure safe installation, operation and maintenance of Square Scrub.



## Important

- Never leave the machine unattended while power cord is connected.
- Always wear personal protective equipment (PPE) when operating this machine.
- Never inhale dust created by the use of this machine. Any modifications to this machine may result in damage to the machine or injury to the operator or others nearby. Alterations to the machine will also void any and all warranty and liabilities.
- Sanding wood decks is not recommended by Square Scrub due to uneven surfaces which could lead to damage to the machine. Some pressure treated wood found in decking contains arsenic that, when sanded, will create hazardous dust. Square Scrub assumes no liability if the machine is used on decks, and damage caused from sanding pressure treated wood will not be warranted.
- Do not operate this machine around fuels, solvents, flammable floor finishes, thinners, wood particulate or any flammable materials. Cigarette lighters, pilot lights, electrical sparks and all other sources of ignition should be extinguished or avoided. Work areas should be well ventilated.
- Keep the power cord clear of the pad. Always lift the cord over the machine. Do not pull on the power cord in an attempt to move the machine. This could result in electrocution.
- Do not use machine if it has been sprayed with water or left out in the rain. This could result in a shock injury or electrocution.
- Keep feet, hands, and loose clothing away from any moving parts on the machine to avoid injury. Disconnect power cord before changing the pad or when servicing. Damage can occur to the machine or to other property if instructions in the owner's manual are not followed.
- Do not operate this machine while under the influence of alcohol or other drugs.
- Never allow children under age 18 to operate this machine.
- Unplug machine from power source before adjusting height of handle or changing pad.
- Servicing this machine while still connected to a power source could lead to electrocution or fire. Before performing machine service or maintenance, disconnect the machine from its power source. Operating this machine with a damaged power cord could lead to electrocution or fire. Cord should remain clear of moving parts during operation. Never use the cord to navigate the machine.



**PPE Equipment**

## Transport of Machine

To transport this machine, the following procedure is advised:



- Unplug machine from power source.
- Always leave a pad on the machine to protect the grip face from damage in transport and storage.
- Wrap cord using cord wrap and handle.
- Raise handle adjustment lever and lock into the transport notch in an upright position.
- Tilt machine onto wheels and transport slowly.
- Square Scrub recommends that at least two-person lift when picking up the machine. With one user on each side of the machine, place one hand on machine axle and one hand around the front base of the machine. Lift machine, making sure to bend at the knees.
- Secure machine when transporting in a vehicle to prevent movement.

**Caution:** This machine is very heavy. Get assistance when lifting. Do not attempt to lift alone.



## General Operating Instructions

1. Move machine to work location. Never operate, transport, or store the machine without a pad to protect the grip face.
2. Plug machine into grounded power outlet.
3. Stand behind the Square Scrub and place your hands on the padded grips.
4. Gently squeeze the coated metal handle underneath the hand grips to engage the motor. Depending on the pad configuration, the machine may initially pull in one direction. This is normal and you will be able to quickly steady the machine.
5. Begin moving forward in straight lines.
6. If the handle is too tall, disengage the handle lock mechanism and slide the handle toward you until you find a comfortable height. Lock the handle into that position either with your hand or press firmly with your foot.
7. Continue moving in straight lines, checking your pad every 15 to 30 minutes (depending on pad in use) to maintain optimum performance.

# Maintenance Schedule

## Prior to using (daily)

- Check AC power cord. Do NOT operate equipment if AC power cord is cut, frayed or if ground is missing.
- Check vacuum hose and connections (if equipped).
- Check grip face and driver pad : inspect for wear/debris. Replace as needed.

## After use (daily)

- Clean pad and base plate assembly : remove/replace pad as needed.
- Inspect grip face for wear. Remove debris between grip face and base plate.
- Wipe base plate and motor assembly with damp microfiber cloth.
- Make certain a pad is placed on grip face.

## Weekly PM

- Check grip face for wear.
- Use vacuum to clean away debris build-up around motor assembly, weights and base plate.

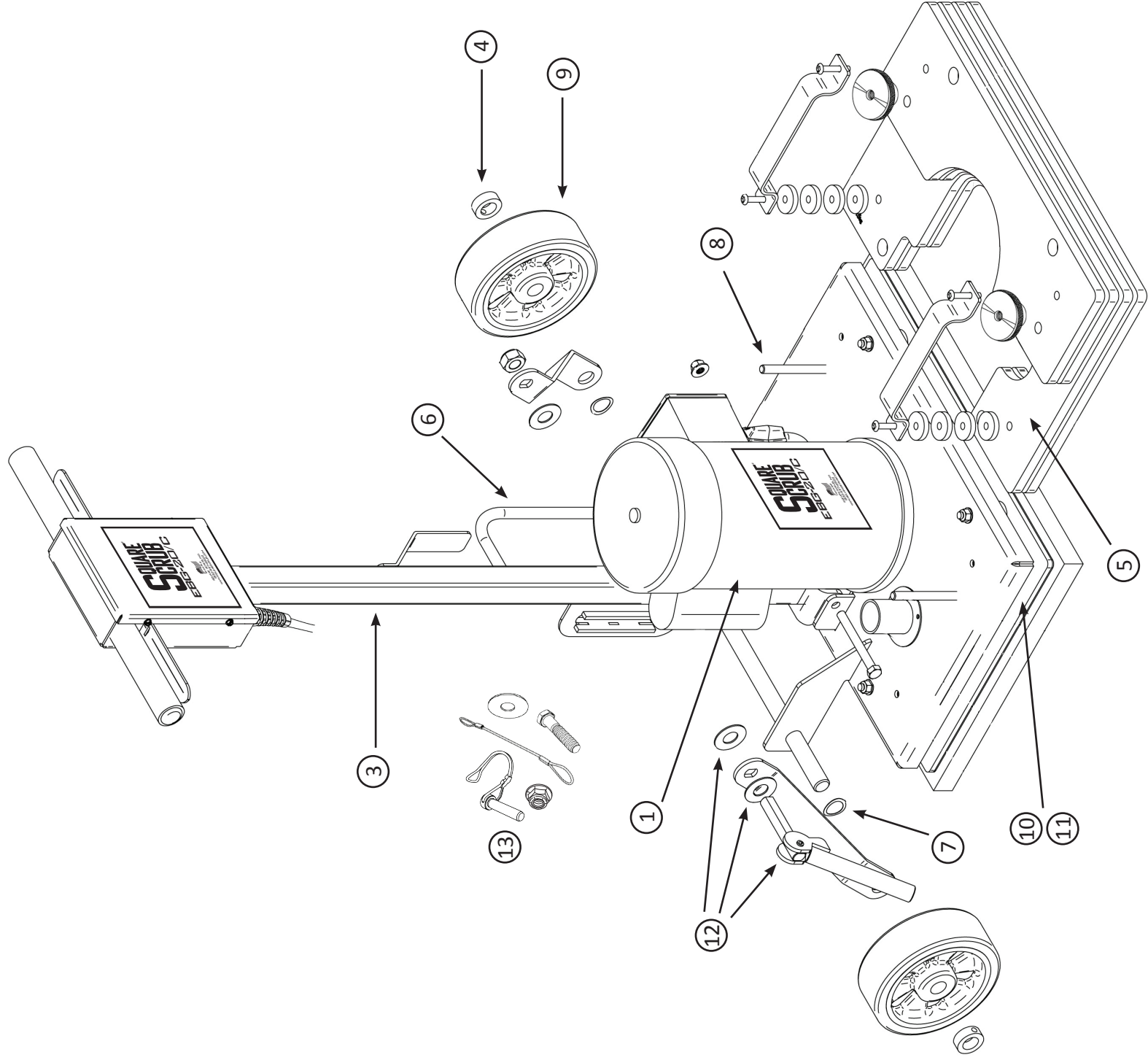
## Annually

- Replace ALL isolators.
- Bearing Assembly Replacement\*

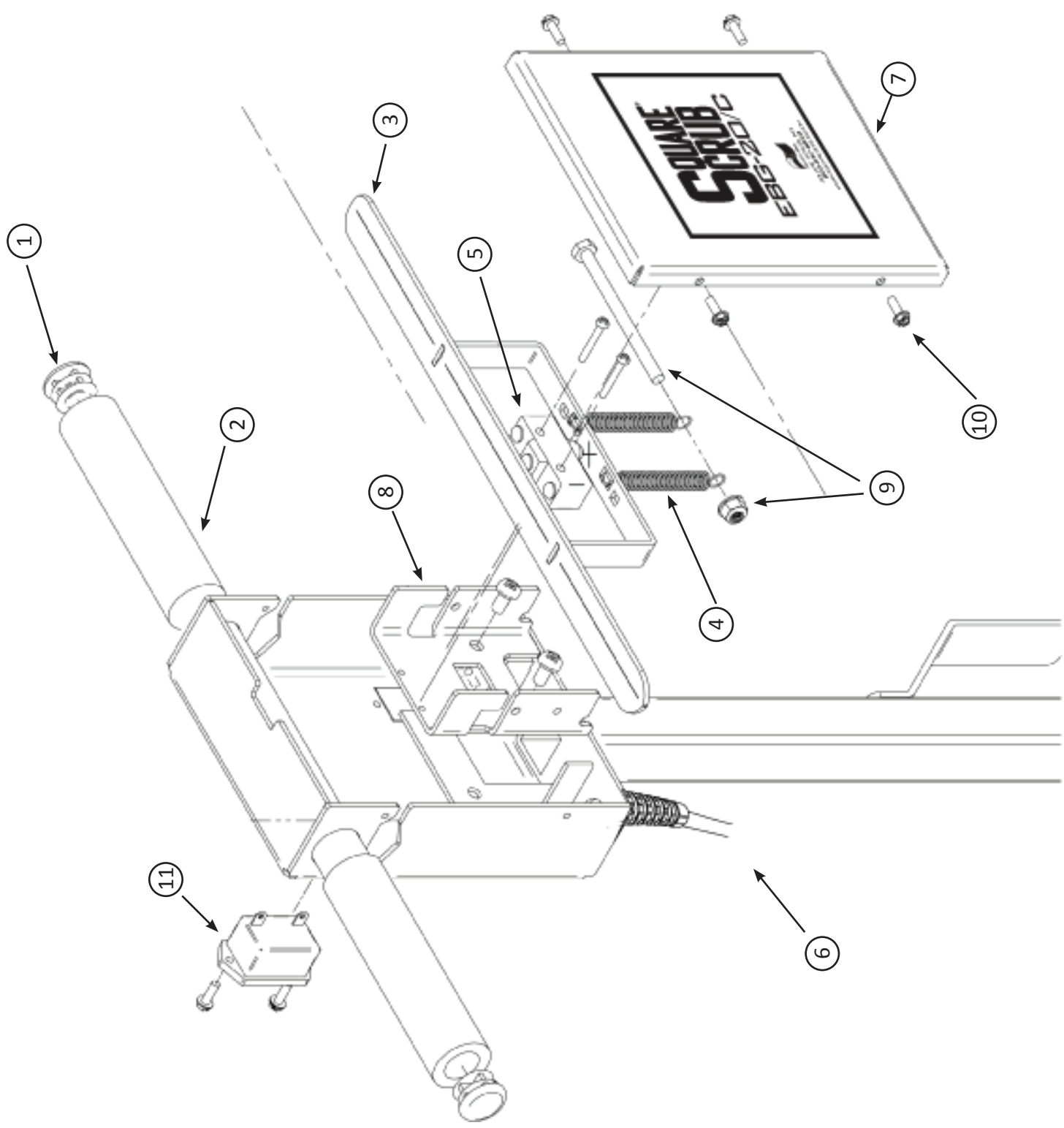
\*The Bearing assembly is considered to be a wear item. We recommend that the bearing assembly be replaced at least once per year with normal use. Under heavy use, we recommend bearing assembly replacement every three months. Be sure to replace isolators with with bearings.

# Troubleshooting

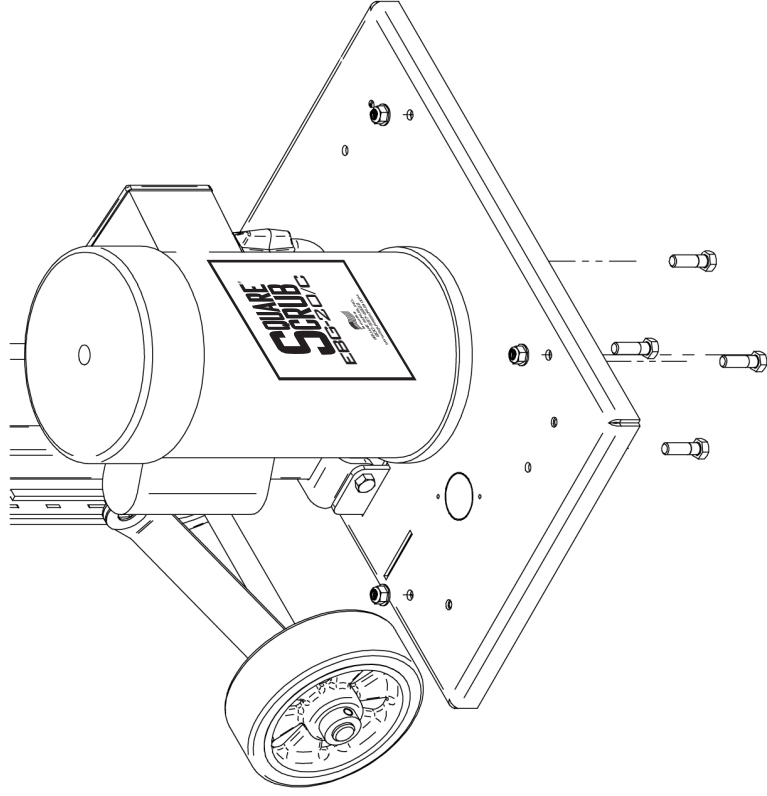
Problem	Cause	Action
<b>Machine will not start</b>	Not Connected to power source Voltage too low Defective switch	Check power source connection and lighted plug Have electrician check outlet Contact Square Scrub dealer
<b>Runs erratically</b>	Low voltage from excessive length or undersized extension cord Defective start switch Defective motor low voltage	Use 10 gauge extension cord Not more than 25' long Contact Square Scrub dealer Contact Square Scrub dealer
<b>Fuse/Circuit Breaker Trips</b>	Low voltage Low input volts	Allow the motor to cool. The circuit breaker is a red button on the side of the motor that will reset when pressed. Eliminate extension cord. Locate power cord closer to work site. Have voltage checked by electrician.
<b>Machine pulls hard to one side</b> <b>Note:</b> The rubber isolators on the EBG are considered wear items. It is recommended to replace the entire set of all four isolators once per year (or sooner under heavy use) to prevent failure and damage to the machine.	Worn Pad Rubber isolators are worn out	Rotate pad 180 degrees Flip pad over Replace Pad Replace isolators
<b>Machine is noticeably louder than it was when originally purchased</b>	Rubber isolators worn Removable weights not secured	Replace isolators Tighten star knobs on removable weights



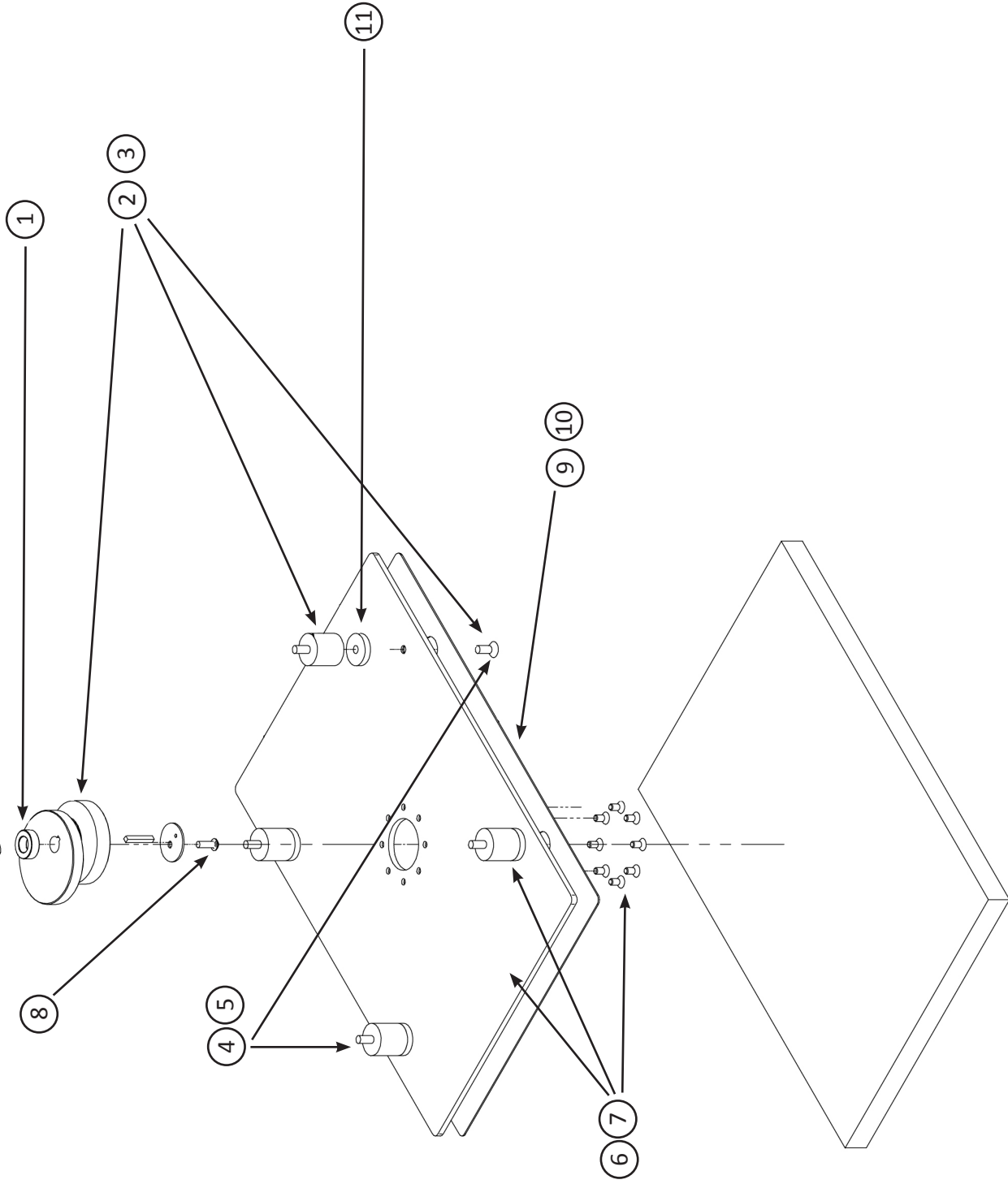
Item No.	Part No.	Part Description	Item No.	Part No.	Part Description
1	SS 142006	Motor Assembly	9	SS 01025Z	Wheel
<b>Not Shown</b>	SS 01014Z	Power Cord Assembly	10	SS 142015	Base Plate Assembly 20"
3	SS 01015Z	Handle	11	SS 142815	Base Plate Assembly 28"
4	SS 01026Z	Axle Collar	12	SS 142018	Tension Handle Assembly
5	SS 142009	Large Plate Weight	13	SS 142012	Pin & Retainer for Two Piece Handle
6	SS 01019Z	Handle Cord Assembly	<b>Not Shown</b>	SS 142010	Dust Containment Kit 20"
7	SS 01024Z	Axle Wave Washer	<b>Not Shown</b>	SS 142810	Dust Containment Kit 28"
8	SS 142013	Removable Weight Bolt			



Item No.	Part No.	Part Description	Item No.	Part No.	Part Description
1	SS 0101Z	Hand Grip	7	SS 0107Z	Switch Cover
2	SS 0102Z	Handle Plug	8	SS 0108Z	Switch Actuator Guide
3	SS 0103Z	Switch Bar	9	SS 01010Z	Switch Actuator Bolt and Nut
4	SS 0104Z	Switch Spring	10	SS 01011Z	Switch Cover Screw
5	SS 142004	Micro Switch	11	SS 142008	Hour Meter Kit
6	SS 0106Z	Cord Strain Relief			



Item No.	Part No.	Part Description
1	SS 01016Z	Motor Shaft Spacer
2	SS 142002	Eccentric Assembly & Isolator Repair Kit 20" (4)
3	SS 142802	Eccentric Assembly & Isolator Repair Kit 28" (8)
4	SS 142001	Isolator Repair Kit 20" (4)
5	SS 142801	Isolator Repair Kit 28" (8)
6	SS 142015	Base Plate Assembly 20" (includes 1, 2, 4 & 9)
7	SS 142815	Base Plate Assembly 28" (includes 1, 3, 5 & 10)
8	SS 01031Z	Motor Bolt
9	SS 142003	Grip Face 20"
10	SS 142803	Grip Face 28"
11	SS 01033Z	Lift Handle/Isolator Washer



## Square Scrub Limited Warranty

This Square Scrub product is warranted to be free from defects in materials and workmanship under normal use and service for a period of one year from the date of purchase, when operated and maintained in accordance with Square Scrub Maintenance and Operating Instructions. Damage due to misuse or improper care will not be repaired under warranty.

This warranty is extended only to the original purchaser for use of the product. It does not cover normal wear and tear parts such as electrical cable, rubber parts, pad driver, main bearing and motor brushes.

**Note:** The rubber isolators are considered wearable parts. It is recommended that the entire set of four (or eight on EBG-28) isolators be replaced every year, regardless of the number of hours operated.

If a difficulty develops with the product, contact your local Square Scrub dealer or call Square Scrub at 800.557.6822. Only Square Scrub can authorize repairs under warranty.

Transportation charges to and from the repair location, including motors still under warranty, will be paid or prepaid by the purchaser. Freight charges on parts are not included. The purchaser will bear full financial responsibility for any freight, testing and assembly if the warranted Square Scrub or motor is found to be defect-free.

Square Scrub's liability under this warranty is limited to repair of the product and/or replacement of parts and is given to purchaser in lieu of all other remedies, including INCIDENTAL AND CONSEQUENTIAL DAMAGES.

**THERE ARE NO EXPRESS WARRANTIES OTHER THAN THOSE SPECIFIED HEREIN. THERE ARE NO WARRANTIES WHICH EXTEND BEYOND THE DESCRIPTION OF THE FACE HEREOF. NO**

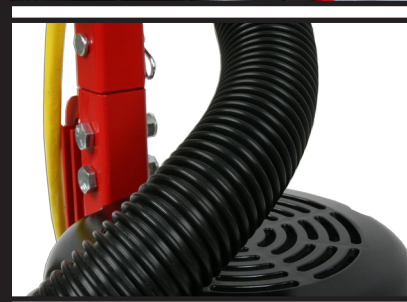
**WARRANTIES, INCLUDING BUT NOT LIMITED TO WARRANTY OF MERCHANTABILITY, SHALL BE IMPLIED.**

Please register your machine on our website within thirty (30) days of purchase to assist Square Scrub in providing the performance you expect from your new floor machine.

**Square Scrub**  
800-557-6822  
www.squarescrub.com

Machine Serial #: \_\_\_\_\_

Date of Purchase: \_\_\_\_\_



# SQUARE SCRUB®

### 3 Ways to Register your Square Scrub Product:

Online

<http://www.squarescrub.com>

Phone

800-557-6822

Mail (card enclosed)

P.O. Box 1693  
Jonesboro, AR 72403



American Made