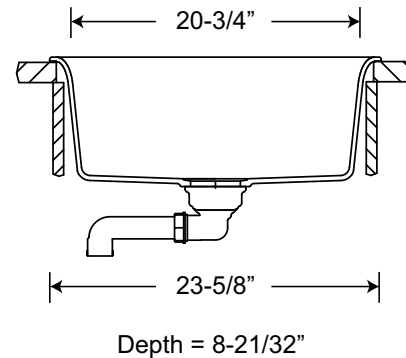
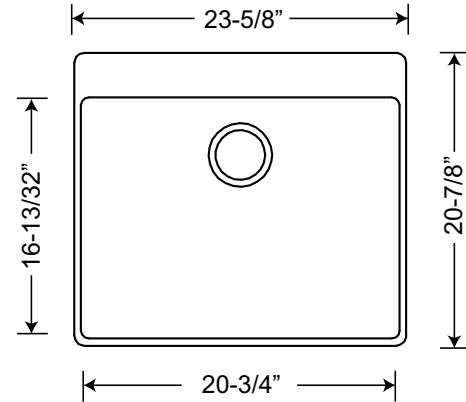

<b>SIS-GR102-01</b> <b>1636-6484</b> Black Sand	<b>SIS-GR102-02</b> <b>1637-6485</b> Wheat	<b>SIS-GR102-03</b> <b>1638-6486</b> Iceberg	<b>SIS-GR102-04</b> <b>1639-6487</b> Grey Moon	<b>SIS-GR102-05</b> <b>1630-6589</b> Chocolate	<b>SIS-GR102-06</b> <b>1691-9413</b> Silver Fox	<b>SIS-GR102-07</b> <b>1692-9414</b> Storm Cloud	<b>SIS-GR102-08</b> <b>1693-9415</b> Eclipse

## Single Bowl Granite Sink



- SIS-GR102 - DURAGRANIT SERIES**
- 80% quartz and 20% acrylic resins
  - Undermount or drop-in installation
  - Scratch and stain resistant
  - Heat and acid resistant
  - Non-fading
  - Easy to clean, extremely hygienic
  - Suitable for food preparation
  - Fits 30" cabinet
  - 3 1/2" drain opening

### AVAILABLE ACCESSORIES



SIS-G-GR102  
Stainless Steel Grid

QTY



SIS-S01-  
Basket Strainer

QTY



SIS-S06-  
Disposal Flange

QTY

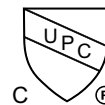


SIS-GCB1709  
Glass Cutting Board

QTY



### CODE / STANDARDS COMPLIANCE



Sinks are listed by IAPMO® as meeting the applicable requirements of the Uniform Plumbing Code®, International Plumbing Code®, and National Plumbing Code of Canada. Product Compliance: CSA B45.5-11/IAPMO Z124-201 including Update No. 1 dated May 2012

### JOB INFORMATION

**JOB NAME:** \_\_\_\_\_ **MODEL SPECIFIED:** \_\_\_\_\_ **QUANTITY:** \_\_\_\_\_

**DATE:** \_\_\_\_\_ **ARCHITECT/ENGINEER:** \_\_\_\_\_

**CUSTOMER:** \_\_\_\_\_ **CONTRACTOR:** \_\_\_\_\_