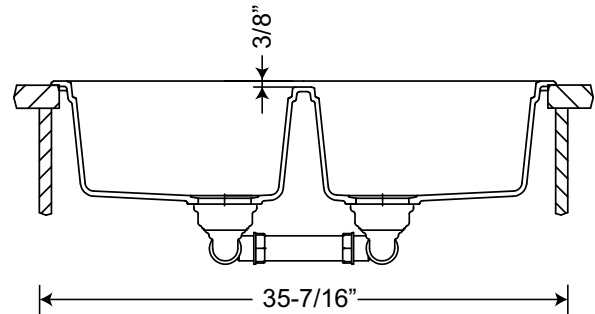
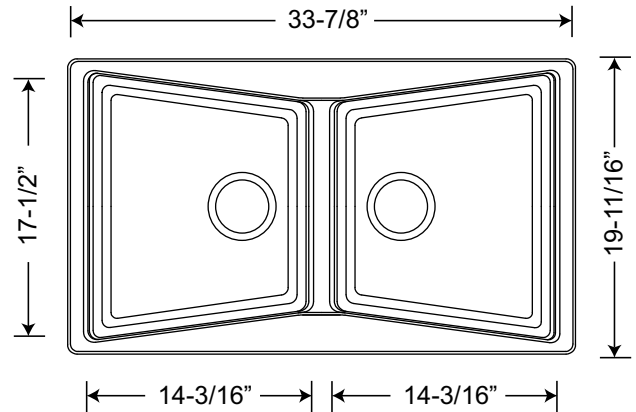


<b>SIS-GR202F-01</b> <b>1630-6781</b> Black Sand	<b>SIS-GR202F-02</b> <b>1631-6782</b> Wheat	<b>SIS-GR202F-03</b> <b>1632-6783</b> Iceberg	<b>SIS-GR202F-04</b> <b>1633-6784</b> Grey Moon	<b>SIS-GR202F-05</b> <b>1634-6785</b> Chocolate	<b>SIS-GR202F-06</b> <b>1693-9819</b> Silver Fox	<b>SIS-GR202F-07</b> <b>1694-9810</b> Storm Cloud	<b>SIS-GR202F-08</b> <b>1695-9811</b> Eclipse

## Double Bowl Granite Sink

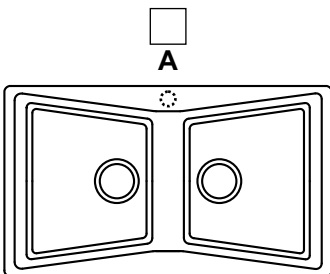


Depth = 7-11/16" / 7-11/16"

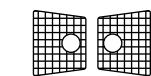
### SIS-GR202F - DURAGRANIT SERIES

- 80% quartz and 20% acrylic resins
- Undermount installation
- Scratch and stain resistant
- Heat and acid resistant
- Non-fading
- Easy to clean, extremely hygienic
- Suitable for food preparation
- Fits 36" cabinet
- 3 1/2" drain opening

### KNOCKOUT HOLE LOCATION



### AVAILABLE ACCESSORIES



SIS-G-GR202F  
Stainless Steel Grid



SIS-S01-  
Basket Strainer



SIS-S06-  
Disposal Flange



SIS-GCB1709  
Glass Cutting Board



### CODE / STANDARDS COMPLIANCE



Sinks are listed by IAPMO® as meeting the applicable requirements of the Uniform Plumbing Code®, International Plumbing Code®, and National Plumbing Code of Canada. Product Compliance: CSA B45.5-11/IAPMO Z124-201 including Update No. 1 dated May 2012

### JOB INFORMATION

**JOB NAME:** \_\_\_\_\_ **MODEL SPECIFIED:** \_\_\_\_\_ **QUANTITY:** \_\_\_\_\_

**DATE:** \_\_\_\_\_ **ARCHITECT/ENGINEER:** \_\_\_\_\_

**CUSTOMER:** \_\_\_\_\_ **CONTRACTOR:** \_\_\_\_\_