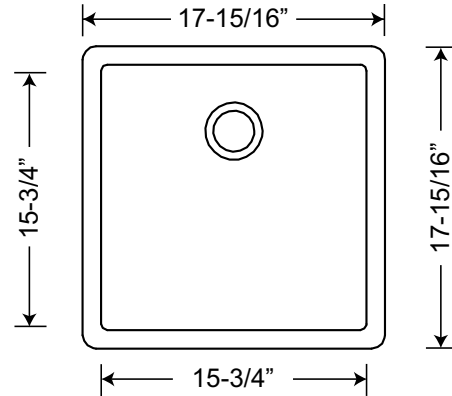
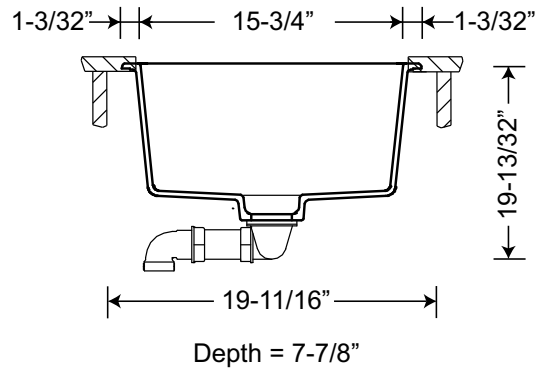

SIS-GR115-01 1633-6289 Black Sand	SIS-GR115-02 1634-6280 Wheat	SIS-GR115-03 1635-6281 Iceberg	SIS-GR115-04 1636-6282 Grey Moon	SIS-GR115-05 1637-6283 Chocolate	SIS-GR115-06 1693-9516 Silver Fox	SIS-GR115-07 1694-9517 Storm Cloud	SIS-GR115-08 1695-9518 Eclipse

Single Bowl Granite Sink

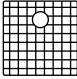



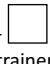



SIS-GR115 - DURAGRANIT SERIES

- 80% quartz and 20% acrylic resins
- Undermount installation
- Scratch and stain resistant
- Heat and acid resistant
- Non-fading
- Easy to clean, extremely hygienic
- Suitable for food preparation
- Fits 21" cabinet
- 3 1/2" drain opening



AVAILABLE ACCESSORIES

			
SIS-G-GR115 Stainless Steel Grid	SIS-S01-  Basket Strainer	SIS-S06-  Disposal Flange	SIS-GCB1709 Glass Cutting Board
QTY <input type="text"/>	QTY <input type="text"/>	QTY <input type="text"/>	QTY <input type="text"/>

CODE / STANDARDS COMPLIANCE



Sinks are listed by IAPMO® as meeting the applicable requirements of the Uniform Plumbing Code®, International Plumbing Code®, and National Plumbing Code of Canada. Product Compliance: CSA B45.5-11/IAPMO Z124-201 including Update No. 1 dated May 2012

JOB INFORMATION

JOB NAME: _____ **MODEL SPECIFIED:** _____ **QUANTITY:** _____

DATE: _____ **ARCHITECT/ENGINEER:** _____

CUSTOMER: _____ **CONTRACTOR:** _____