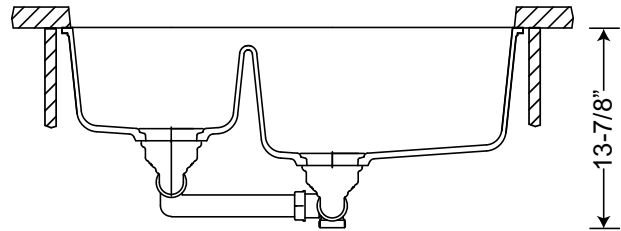
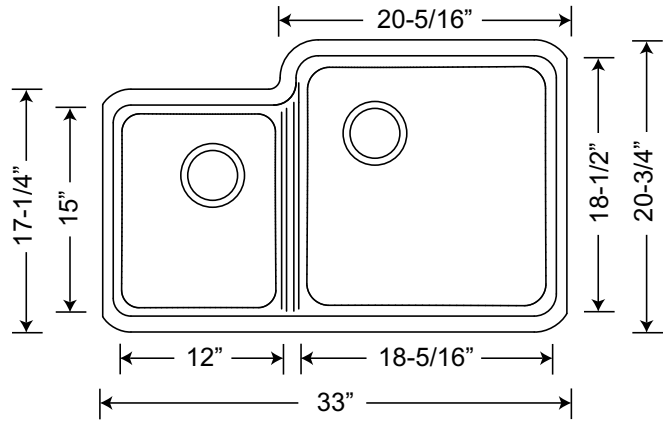


## Double Bowl Granite Sink

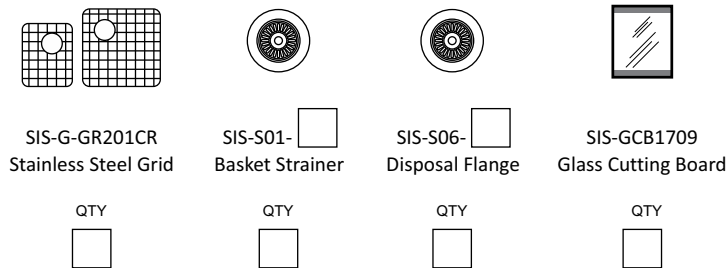


Depth = 7-1/4" / 9"

### SIS-GR201CR - DURAGRANIT SERIES

- 80% quartz and 20% acrylic resins
- Undermount installation
- Scratch and stain resistant
- Heat and acid resistant
- Non-fading
- Easy to clean, extremely hygienic
- Suitable for food preparation
- Fits 36" cabinet
- 3 1/2" drain opening

### AVAILABLE ACCESSORIES



### CODE / STANDARDS COMPLIANCE



Sinks are listed by IAPMO® as meeting the applicable requirements of the Uniform Plumbing Code®, International Plumbing Code®, and National Plumbing Code of Canada. Product Compliance: CSA B45.5-11/IAPMO Z124-201 including Update No. 1 dated May 2012

### JOB INFORMATION

**JOB NAME:** \_\_\_\_\_ **MODEL SPECIFIED:** \_\_\_\_\_ **QUANTITY:** \_\_\_\_\_  
**DATE:** \_\_\_\_\_ **ARCHITECT/ENGINEER:** \_\_\_\_\_  
**CUSTOMER:** \_\_\_\_\_ **CONTRACTOR:** \_\_\_\_\_