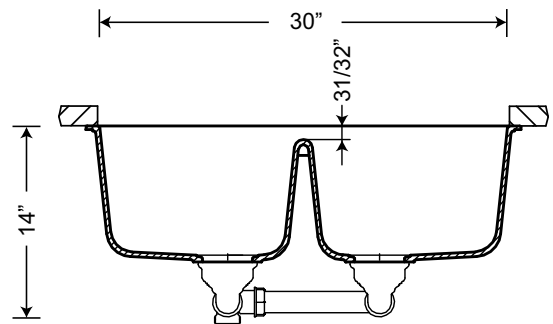
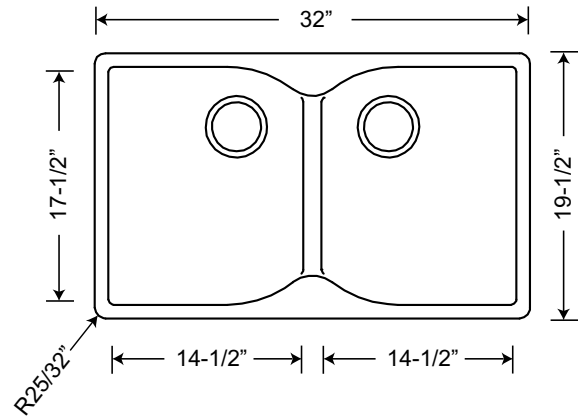

SIS-GR202E-01 1635-6685 Black Sand	SIS-GR202E-02 1636-6686 Wheat	SIS-GR202E-03 1637-6687 Iceberg	SIS-GR202E-04 1638-6688 Grey Moon	SIS-GR202E-05 1639-6689 Chocolate	SIS-GR202E-06 1690-9816 Silver Fox	SIS-GR202E-07 1691-9817 Storm Cloud	SIS-GR202E-08 1692-9818 Eclipse

Double Bowl Granite Sink

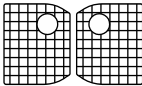





Depth = 9-1/2" / 9-1/2"

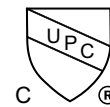
SIS-GR202E - DURAGRANIT SERIES

- 80% quartz and 20% acrylic resins
- Undermount installation
- Scratch and stain resistant
- Heat and acid resistant
- Non-fading
- Easy to clean, extremely hygienic
- Suitable for food preparation
- Fits 36" cabinet
- 3 1/2" drain opening

AVAILABLE ACCESSORIES

			
SIS-G-GR202E Stainless Steel Grid	SIS-S01- <input type="checkbox"/> Basket Strainer	SIS-S06- <input type="checkbox"/> Disposal Flange	SIS-GCB1709 Glass Cutting Board
QTY <input type="checkbox"/>	QTY <input type="checkbox"/>	QTY <input type="checkbox"/>	QTY <input type="checkbox"/>

CODE / STANDARDS COMPLIANCE



Sinks are listed by IAPMO® as meeting the applicable requirements of the Uniform Plumbing Code®, International Plumbing Code®, and National Plumbing Code of Canada. Product Compliance: CSA B45.5-11/IAPMO Z124-201 including Update No. 1 dated May 2012

JOB INFORMATION

JOB NAME: _____ **MODEL SPECIFIED:** _____ **QUANTITY:** _____

DATE: _____ **ARCHITECT/ENGINEER:** _____

CUSTOMER: _____ **CONTRACTOR:** _____