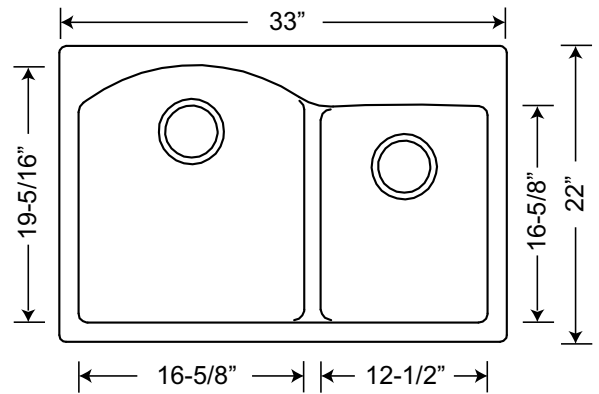


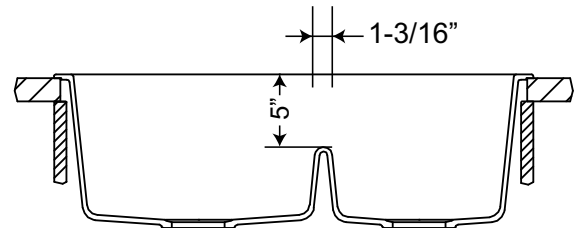
SIS-GR204LD-01 1635-6786 Black Sand	SIS-GR204LD-02 1636-6787 Wheat	SIS-GR204LD-03 1637-6788 Iceberg	SIS-GR204LD-04 1638-6789 Grey Moon	SIS-GR204LD-05 1639-6780 Chocolate	SIS-GR204LD-06 1699-9815 Silver Fox	SIS-GR204LD-07 1690-9917 Storm Cloud	SIS-GR204LD-08 1691-9918 Eclipse

Double Bowl Granite Sink



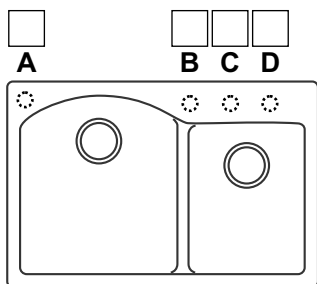
SIS-GR204LD - DURAGRANIT SERIES

- 80% quartz and 20% acrylic resins
- Undermount installation
- Scratch and stain resistant
- Heat and acid resistant
- Non-fading
- Easy to clean, extremely hygienic
- Suitable for food preparation
- Fits 36" cabinet
- 3 1/2" drain opening

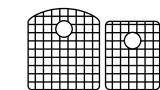


Depth = 10" / 10"

KNOCKOUT HOLE LOCATION



AVAILABLE ACCESSORIES



SIS-G-GR204LD
Stainless Steel Grid

QTY



SIS-S01-
Basket Strainer

QTY



SIS-S06-
Disposal Flange

QTY



SIS-GCB1709
Glass Cutting Board

QTY

CODE / STANDARDS COMPLIANCE



Sinks are listed by IAPMO® as meeting the applicable requirements of the Uniform Plumbing Code®, International Plumbing Code®, and National Plumbing Code of Canada. Product Compliance: CSA B45.5-11/IAPMO Z124-201 including Update No. 1 dated May 2012

JOB INFORMATION

JOB NAME: _____ MODEL SPECIFIED: _____ QUANTITY: _____

DATE: _____ ARCHITECT/ENGINEER: _____

CUSTOMER: _____ CONTRACTOR: _____