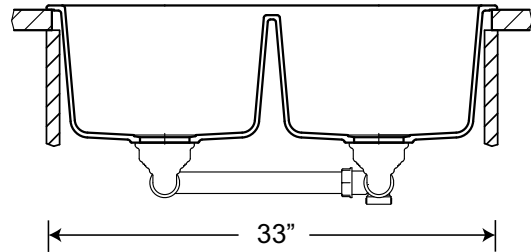
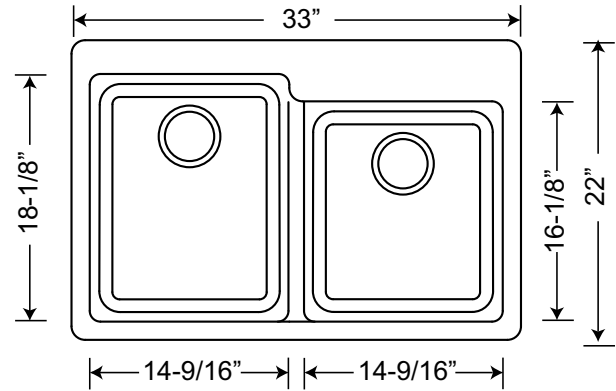

SIS-GR201-01 1674-6481 Black Sand	SIS-GR201-02 1675-6482 Wheat	SIS-GR201-03 1676-6483 Iceberg	SIS-GR201-04 1677-6484 Grey Moon	SIS-GR201-05 1678-6485 Chocolate	SIS-GR201-06 1696-9519 Silver Fox	SIS-GR201-07 1697-9510 Storm Cloud	SIS-GR201-08 1698-9511 Eclipse

1-3/4 Double Bowl Kitchen Sink

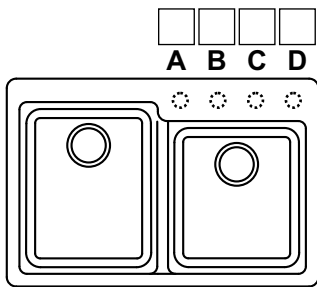


Depth = 9-1/2" / 9-1/2"

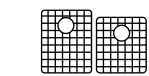
SIS-GR201 - DURAGRANIT SERIES

- 80% quartz and 20% acrylic resins
- Undermount or drop-in installation
- Scratch and stain resistant
- Heat and acid resistant
- Non-fading
- Easy to clean, extremely hygienic
- Suitable for food preparation
- Fits 36" cabinet
- 3 1/2" drain opening

KNOCKOUT HOLE LOCATION



AVAILABLE ACCESSORIES



SIS-G-GR201
Stainless Steel Grid



SIS-S01-
Basket Strainer



SIS-S06-
Disposal Flange



SIS-GCB1709
Glass Cutting Board



CODE / STANDARDS COMPLIANCE



Sinks are listed by IAPMO® as meeting the applicable requirements of the Uniform Plumbing Code®, International Plumbing Code®, and National Plumbing Code of Canada. Product Compliance: CSA B45.5-11/IAPMO Z124-201 including Update No. 1 dated May 2012

JOB INFORMATION

JOB NAME: _____ MODEL SPECIFIED: _____ QUANTITY: _____

DATE: _____ ARCHITECT/ENGINEER: _____

CUSTOMER: _____ CONTRACTOR: _____