

**SPECIFICATIONS**



- Very Smooth, Non-Porous Glossy Surface
- Handcrafted with 7mm size tolerance
- Standard 3-1/2" drain opening
- Premium quality ceramic construction
- Extremely resistant to chip, discoloration, scratches, and cracking
- Temperature Resistance: Between 32°F and 250°F

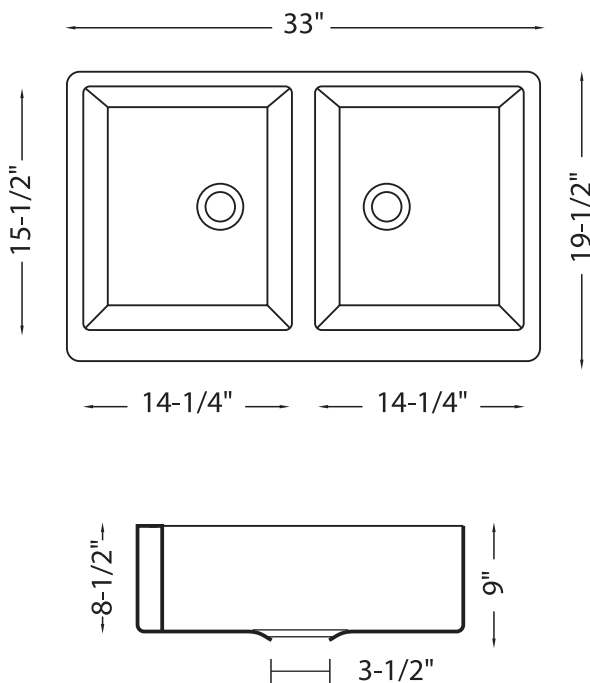


PART#	MODEL	COLOR
2646-0016	H-CF05-03	White

**SINK FEATURES**



All HIVE sinks receive expert hands-on care under strict quality control throughout every stage of our modern manufacturing process. This ensures a "NO HASSLE" Limited Lifetime Warranty against all manufacturing defects in material and workmanship under normal use.



**CODE / STANDARDS COMPLIANCE**

Most HIVE sinks meet or exceed the following specifications:  
 ASME 112.19.3-2008 - IAPMO/UPC listed - CSA B45.4-2008



**JOB INFORMATION**

JOB NAME: \_\_\_\_\_ MODEL SPECIFIED: \_\_\_\_\_ QUANTITY: \_\_\_\_\_  
 DATE: \_\_\_\_\_ ARCHITECT/ENGINEER: \_\_\_\_\_  
 CUSTOMER: \_\_\_\_\_ CONTRACTOR: \_\_\_\_\_