
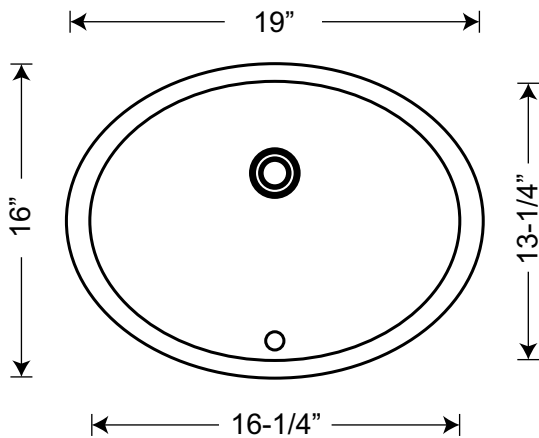


**SPECIFICATIONS**


- Undermount lavatory sink
- Premium porcelain
- No faucet holes
- Fits 24" cabinet
- 1 1/2" drain opening
- Template included



| PART#  | MODEL       | COLOR |
|--|-------------|-------|
|  <b>2649-0413</b> | H-1613W-ADA | White |


**SINK FEATURES**


All HIVE sinks receive expert hands-on care under strict quality control throughout every stage of our modern manufacturing process. This ensures a "NO HASSLE" Limited Lifetime Warranty against all manufacturing defects in material and workmanship under normal use.

**CODE / STANDARDS COMPLIANCE**

Most HIVE sinks meet or exceed the following specifications:  
 ASME 112.19.3-2008 - IAPMO/UPC listed - CSA B45.4-2008


**JOB INFORMATION**

JOB NAME: \_\_\_\_\_ MODEL SPECIFIED: \_\_\_\_\_ QUANTITY: \_\_\_\_\_  
 DATE: \_\_\_\_\_ ARCHITECT/ENGINEER: \_\_\_\_\_  
 CUSTOMER: \_\_\_\_\_ CONTRACTOR: \_\_\_\_\_