

BP-9-220V Table of Contents

FORWARD.....	2
INTRODUCTION.....	3
SPECIFICATIONS	3
SAFETY INSTRUCTIONS	4
SAFETY — GENERAL	4
SAFETY — SITE ASSESSMENT	4
SAFETY — START UP.....	6
SAFETY — OPERATION PROCEDURES	7
SAFETY — SHUT DOWN PROCEDURES.....	8
SAFETY — MAINTENANCE PROCEDURES.....	9
CHECK LIST	10
OPERATING INSTRUCTIONS.....	11
SETTING THE BLAST PATTERN	11
Proper Control Cage Setting Drawing	12
TRANSPORTATION.....	13
WEAR PARTS	14
ESSENTIAL PARTS	15
MAINTENANCE.....	16
BLAST WHEEL REMOVAL AND INSTALLATION.....	16
BP-9-220V DRAWING.....	17
BP-9-220V PARTS LIST	18
SHOTBLASTING PROBLEMS & POSSIBLE SOLUTIONS.....	19

FORWARD

Thank you for your purchase of a shotblasting machine from BlastPro Manufacturing, Inc. We feel that you have purchased the highest quality shotblasting equipment on the market today.

This manual has been prepared to give the operator a general understanding of the machine. It is not intended to be an all encompassing document which addresses every situation which may be encountered when operating this machine. **BEFORE OPERATING, MAINTAINING, OR SERVICING THE EQUIPMENT, THIS MANUAL SHOULD BE READ BY ALL INDIVIDUALS RESPONSIBLE FOR OPERATION, MAINTENANCE, OR SERVICE OF THE EQUIPMENT.**

The individuals responsible for operating, maintaining, and servicing the equipment should thoroughly understand and follow all safety precautions listed on the equipment and listed in this manual. As with any piece of construction equipment, serious damage to the equipment and serious injury to the operator can occur if the safety instructions and safety warnings are not followed.

If you have any questions or problems regarding the operation of the equipment, then please call:

BlastPro Manufacturing, Inc.
6021 Melrose Lane
Oklahoma City, OK 73127
Toll free: 877-495-6464
Phone: 405-491-6464
Fax: 405-495-4994
Website: www.BlastProMfg.com

Introduction

The BP-9-220V is an affordable 220 volt blast cleaning system designed both to complete small to medium jobs and to act as a complimentary unit on larger jobs by specializing in edge work and hard-to-reach areas. The BP-9-220V has a 9" blast pattern and has the capability of 1/8" of depth removal in one pass. This portable, lightweight unit cleans and profiles in one easy step. Shot sizes range from S-170 to S-390, which can be used in a wide range of applications including small floor areas, tight spaces, balconies, garage floors, basements, and pool decks. Wear parts are interchangeable with BLASTRAC[®] parts. A dust collector is not included with purchase of the BP-9-220V.

The mechanics of the BP-9-220V are fairly simple. When the shot lever is squeezed, a cable connected to the shot lever opens the shot valve which subsequently allows shot from the shot hopper to be released. The shot then moves through the shot valve, down the feed spout, and into the blast wheel which sits in a control cage. A 220 volt right angle motor then spins the blast wheel at a very high rate of speed. Next, the spinning blast wheel throws the shot through an opening in the control cage and down onto to the concrete surface that is being cleaned. Due to the high rate of speed at which the shot is traveling, it acts to fracture the concrete surface which consequently produces concrete dust. After hitting the concrete surface, the shot rebounds off of it and, through a combination of the rebound effect and the use of a vacuum, the shot and the concrete dust then move through the blast housing. Because shot is heavier than concrete dust, gravitational force causes the shot to be sent back into the shot hopper where it is continuously recycled by the machine. As for the concrete dust, it is sucked into a duct hose which travels from the blast housing to the dust collector. After traveling through the duct hose, the concrete dust is deposited in the dust collector's dust bin.

Specifications

Model Number:	BP-9-220V	Minimum Generator:	8.0 kW
Production Capacity:	100-375 sq. ft./hr.	Dimensions (L x W x H):	47" x 12" x 39"
Blast Pattern:	9"	Weight:	178 lbs.
Travel Speed:	Manual	Power Cord Included:	50 ft.
Blast Motor:	3 hp	Seals:	Magnetic and Brush
Voltage:	208V, SP, 60 Hz, 13 Amp	Distance to Edge:	1.5"
Voltage:	230V, SP, 60 Hz, 12 Amp	Dust Collector (Not Included):	Ruwac

Safety Instructions

ALL OPERATORS AND MAINTENANCE PERSONNEL SHOULD READ THIS SECTION CAREFULLY BEFORE OPERATING OR MAINTAINING THIS EQUIPMENT. THESE SAFETY INSTRUCTIONS ARE NOT MEANT TO REPRESENT AN ALL-INCLUSIVE LIST OF INSTANCES WHICH COULD TAKE PLACE WHEN OPERATING THIS EQUIPMENT. FOR, AS WITH ANY PIECE OF CONSTRUCTION EQUIPMENT, SERIOUS INJURY CAN OCCUR IF PROPER SAFETY PROCEDURES ARE NOT DILIGENTLY FOLLOWED. ALL SAFETY AND WARNING LABELS POSTED ON THE MACHINE MUST BE FOLLOWED AS WELL AS THE SAFETY PROGRAM INSTITUTED BY YOUR COMPANY. THERE IS NO SUBSTITUTE FOR SOUND JUDGEMENT IN THE OPERATION AND MAINTENANCE OF THIS EQUIPMENT. IN CASES WHERE OPERATING PERSONNEL HAVE INSUFFICIENT KNOWLEDGE OR UNDERSTANDING OF THE ENGLISH LANGUAGE, PROPER TRANSLATED TRAINING MUST BE COMPLETED BEFORE USE OF THIS EQUIPMENT CAN TAKE PLACE.

Note: This manual must be kept with the machine at all times so as to allow the operator easy access to its vital information.

Safety — General

The United States Department of Labor's Occupational Safety & Health Administration (OSHA) provides statutory requirements, standards, and regulations relating to the use of portable tools on construction sites. These statutory requirements, standards, and regulations are posted on the OSHA website at www.osha.gov. The operator and maintenance personnel should understand and follow these statutory requirements, standards, and regulations.

Safety — Site Assessment

Before starting blasting operations, a site assessment must be performed. During the site assessment verify the following:

- Work area is flat, clean, and dry, free of debris, frost-free, and has no flammable liquids nearby. Also, make sure that the machine will be able to clear all obstructions. **NEVER BLAST A WET SURFACE! NEVER ALLOW PERSONNEL, ELECTRICAL CORDS, OR CONNECTIONS TO COME INTO CONTACT WITH ANY TYPE OF MOISTURE!**
- **NEVER BLAST OVER BOLTS, NUTS, SCREWS, NAILS, ANY OTHER TYPE OF DEBRIS, OR OVER OPENINGS IN THE BLASTING SURFACE AS THIS MAY RESULT IN SIGNIFICANT DAMAGE TO THE MACHINE AND SERIOUS INJURY TO THE OPERATOR!**
- If using a generator, then proper safety precautions have been undertaken in order to help reduce the risk of carbon monoxide poisoning. Making certain that the work area is well ventilated is extremely important. For further information, refer to the owner's manual of your generator.

- Each worker has a carbon monoxide monitor on their persons. These carbon monoxide monitors should be calibrated, in working order, and should be equipped with audible alarms that will warn workers if carbon monoxide levels become too high. **IF CARBON MONOXIDE LEVELS EXCEED 35 PARTS PER MILLION, ALL WORK MUST CEASE IMMEDIATELY! THIS REPRESENTS A POTENTIALLY DEADLY SITUATION WHICH NECESSITATES AN IMMEDIATE SHUTDOWN!**
- All workers have received training on the dangers of overexposure to carbon monoxide. Staff members must also be able to identify all of the signs and all of the symptoms associated with carbon monoxide poisoning. This training should ensure that work would stop immediately and emergency medical personnel would be notified promptly if one or more workers exhibited or complained of any of the common signs and symptoms associated with carbon monoxide overexposure, including: headache, nausea, weakness, dizziness, lethargy, visual disturbances, changes in personality, and/or loss of consciousness.
- **SURFACES HAVE BEEN THOROUGHLY INSPECTED. SOME FLOOR OR DECK SURFACES MAY BE COATED WITH OR CONTAMINATED BY DANGEROUS MATERIALS SUCH AS PCBs, LEAD, ASBESTOS, PESTICIDES, SOLVENTS, CLEANING FLUIDS, AND/OR OTHER HARMFUL CHEMICALS. THE DUST PRODUCED FROM SHOTBLASTING SUCH SURFACES CAN CREATE A SERIOUS HEALTH THREAT TO THOSE WHO INHALE OR COME INTO CONTACT WITH THE DUST. AS A RESULT, THE WORK AREA MUST BE CHECKED FOR THESE MATERIALS BEFORE WORK CAN BEGIN. BLASTPRO MANUFACTURING, INC. DOES NOT WARRANT ITS EQUIPMENT TO BE SUITABLE FOR, OR APPROVED FOR, REMOVING DANGEROUS MATERIALS. IT IS THEREFORE THE RESPONSIBILITY OF THE CONTRACTOR TO AFFIRM THE SAFETY OF THE WORK AREA AND OF THE EQUIPMENT TO BE USED WITH THE PROPER AUTHORITIES. IT IS ALSO THE RESPONSIBILITY OF THE CONTRACTOR TO WARN ALL STAFF MEMBERS OF ALL POTENTIAL SHORT-TERM AND LONG-TERM HEALTH RISKS ASSOCIATED WITH INHALING AND COMING INTO CONTACT WITH DANGEROUS MATERIALS. THE CONTRACTOR IS RESPONSIBLE, FURTHERMORE, FOR PROTECTING ALL WORKERS FROM BEING EXPOSED TO DANGEROUS MATERIALS. SO, BECAUSE THE BP-9-220V SHOTBLASTING MACHINE HAS NOT BEEN DESIGNED TO REMOVE, CLEAN, PROFILE, OR ALTER ANY SURFACE COATED WITH OR OTHERWISE CONTAMINATED BY DANGEROUS MATERIALS, BLASTPRO MANUFACTURING, INC. EXPRESSLY DISCLAIMS ANY LIABILITY FOR INJURY, ILLNESS, DEATH, OR DAMAGE THAT MIGHT OCCUR OR RESULT FROM SUCH IMPROPER USE.**
- Operator and any other personnel in the work area are wearing safety glasses with side shields, dust masks, ear plugs, hard hats, steel-toed work boots, long sleeved shirts, tight fitting clothing, and gloves. It is also imperative for staff to tie back long hair and to remove all jewelry.
- Work area has been blocked off to pedestrians, unprotected personnel, and untrained personnel. In the event pedestrians, unprotected personnel, or untrained personnel enter the work area, blasting operations are to be stopped immediately.

- Fire extinguishers are nearby. Also, take note of the location and of the contact information of fire departments close to the work site.
- Belt guards are in working order and are present on the machine where needed at all times.
- All glass and equipment, including vehicles, are protected from steel shot. This can be done by loosely hanging a sheet of visqueen or other protective material in front of the glass or equipment in a curtain-like fashion. The importance of protecting glass and equipment from steel shot cannot be overemphasized.
- All floors drains have been plugged or covered so as to prevent steel shot from falling into the drains.
- This equipment is only being used for commercial purposes. This equipment is only to be operated by professional, trained, and competent operators.
- The operator is aware of his surroundings and will use common sense. **THE OPERATOR IS NOT TO OPERATE THE EQUIPMENT IF HE IS TIRED, DISTRACTED, OR UNDER THE INFLUENCE OF DRUGS, ALCOHOL, OR MEDICATIONS THAT DECREASE AWARENESS!**

Safety — Start Up

After performing the site assessment safety procedures listed above, bring the BP-9-220V and the dust collector to the work area and perform the following procedures:

- Verify that personnel are competent and that they have read and understood the safety information in this manual. Staff must also be familiar with how to operate the machine and with all of its components. Make certain that all personnel follow all safety instructions and programs required by their company and by the worksite.
- Verify that all machine parts are assembled safely and correctly.
Note: It is recommended to have original spare parts and wear parts on hand. It is imperative that the machine receive special attention and regular maintenance in order to function properly and to operate safely.
- Inspect all electrical cords on the BP-9-220V for damage, tears, or other signs of wear. If electrical cords are damaged, then do not attempt to perform blasting operations until cords have been repaired or replaced.
- Inspect the dust collector. Verify that the dust bin is empty, filters are clean and clear of debris, and motors and fans are in working order.
Note: The dust bin must be emptied whenever it becomes full.
- Inspect the duct hose leading from the BP-9-220V to the dust collector. Make sure that the hose is free of debris, that the hose is not cracked, and that holes do not exist. If necessary, then replace hose.
- Make certain that all screws and other fasteners are tight.
- Check the shot storage hopper, the feed spout, and the blast wheel parts for foreign bodies and remove them if present.
- Check the blast wheel blades, control cage, liners, and magnets for damages and wear. Wear grooves are acceptable until 50% of blade thickness has been worn away. When blade thickness has been worn away by more than 50%, replace all blades as a set.

- Check the front, side, and rear seal system and brush seals for excessive wear.
- Check the tightness of the hose connections and the condition of the hose to the filter.
- Check the electrical connections for dirt and foreign body deposits.
- Verify that the electrical motors are free of dirt and other contaminants.
- Check the level of shot in the storage hopper. Refill hopper if necessary.
- Verify that the main power cable and the dust hose are free of damage. Replace or repair all damaged parts before putting the machine into operation.
- Connect the blast cleaning machine and the filter unit with the dust hose. Use hose clamps at the connections.
- Connect the supply cable of the blast cleaning machine with filter unit. Connect the electrical cable of the filter unit with the site supply.
- Make certain that the side seals are positioned correctly in the side seal boxes.
- Check that the filter dust container has been emptied.
- Make certain to keep hands away from all moving parts once the machine is in operation.
- Make certain to never stand next to the blast housing while the BP-9-220V is in operation as blade failure could result in serious injury.
- Make certain that the shot hopper door is closed while the machine is in operation as the BP-9-220V throws shot which could present a serious danger if the shot hopper door is not properly closed.
- Make certain that the blast seals of the BP-9-220V are not worn out. As these seals provide the suction that is required by the machine, they will become dislodged if they become worn out. This will then result in shot being discharged from the machine. It is consequently recommended that the operator make absolutely certain that the blast seals are in good working condition before putting the BP-9-220V into operation.
- In the unlikely event of a failure, turn the main power switch to the OFF position.

Note: If the BP-9-220V shot blasting machine is operated using a generator as the power source, the generator must be operated in accordance with the current VDE directives (this applies to the protective earth conductor in particular) in order to ensure that all safety devices are functioning and to eliminate possible damage to electrical components.

Safety — Operation Procedures

When operating the BP-9-220V, perform the following safety procedures:

- Always blast in a straight line away from the dust collector. Blasting in a straight line will produce the most uniform results. **NEVER RUN OVER ANYTHING WITH THE BP-9-220V! RUNNING OVER AN EXTENSION CORD, AIR LINES, REBAR EXPANSION JOINTS, OPENINGS IN FLOOR, DRAINS, ETC. WITH THE BP-9-220V CAN RESULT IN SERIOUS INJURY TO THE OPERATOR AND/OR DAMAGE TO THE EQUIPMENT!**
- **SUPPORT PERSONNEL MUST KEEP A SAFE DISTANCE FROM THE MACHINE WHILE IT IS IN OPERATION! DO NOT STAND IN FRONT OF THE MACHINE WHILE IT IS IN OPERATION!**

- Since the speed of the machine determines the depth of its cut, it is thus advised that the operator run a test pattern. Failure to run a test pattern could result in the machine gouging the floor.
- The blast pattern needs to be inspected by the operator at least every ten feet as variation in concrete means that the concrete or the coated surface may be softer in some areas than it is in others.
- Whenever the dust collector becomes full, it must be emptied. Failure to empty the dust collector could result in the machine losing its suction to the floor. If this happens, then all of the shot will fall out of the shot hopper.
- Never switch off or remove the exhaust and ventilation devices when the machine is in operation.
- **MAKE CERTAIN CIRCUIT BREAKERS CAN HANDLE THE ELECTRICAL LOAD REQUIRED BY THE BP-9-220V!**
- **A SECOND PERSON MUST BE PRESENT SO AS TO PULL OUT THE MACHINE'S PLUG IN AN EMERGENCY! THE WORK AREA MUST THEN BE SEALED OFF USING A RED AND WHITE SAFETY CHAIN AND A DANGER SIGN! USE A TOOL THAT IS INSULATED AGAINST VOLTAGES!**
- **IF AN ERROR OCCURS WHILE THE MACHINE IS IN OPERATION, THEN IT MUST BE SHUT DOWN IMMEDIATELY! THE CAUSE OF THE ERROR MUST BE ESTABLISHED IMMEDIATELY!**
- **IF CABLES BECOME LOOSE OR SCORCHED, THE MACHINE MUST BE SHUT DOWN IMMEDIATELY!**

Safety — Shut Down Procedures

When shutting down the BP-9-220V, always perform the following safety procedures:

- Shut off the shot supply by releasing the shot handle.
- Advance the machine until you are sure that no deep holes are being blasted into the surface.
- Turn off the breakers to the BP-9-220V and to the dust collector.
- Turn switch on the BP-9-220V and dust collector to the OFF position.
- Empty dust from the dust collector. **WHEN REMOVING DUST FROM DUST COLLECTOR, ALWAYS WEAR A PARTICLE MASK. CONCRETE DUST MAY CONTAIN PARTICLES WHICH ARE EXTREMELY HAZARDOUS! THESE PARTICLES SHOULD NEVER BE INHALED!**
- Empty all shot from the shot hopper on the BP-9-220V. Shot should never be left in BP-9-220V after work is performed. Never move or transport BP-9-220V with shot or dust in the shot hopper as this may result in damage to the equipment.
- **AFTER COMPLETING WORK, CLEAN ALL STRAY SHOT FROM WORK AREA. SHOT CAN BE CLEANED WITH A MAGNETIC BROOM OR WITH A SHOP VACUUM. NEVER LEAVE STRAY SHOT IN WORK AREA AS SHOT REPRESENTS A SLIP AND FALL HAZARD! STEPPING AND FALLING ON STEEL SHOT CAN RESULT IN SERIOUS INJURY OR EVEN DEATH!**

Safety — Maintenance Procedures

When performing maintenance on the BP-9-220V, make certain that the following safety procedures are followed:

- Verify that the BP-9-220V and the dust collector are not in operation. Attempting to perform maintenance operations on the BP-9-220V or the dust collector while in operation could lead to serious injury or death.
- Verify that the BP-9-220V and the dust collector are on a level and stable surface.
- Make certain that the BP-9-220V is in the Safety off position (valve is closed, blast machine is switched off, dust collector is switched off, all drives are at a standstill, and main plug has been pulled).
- Make certain maintenance personnel are wearing lint-free cleaning cloths.
- All repairs to electrical components, including wiring, should be performed by a licensed electrician.
- When performing electrical servicing work, make certain that all replacement electrical components comply with the original parts and are correctly adjusted.
- All other repairs must be completed by competent, qualified personnel.
- Make certain that process materials and replaced parts are disposed of safely and in an environmentally-appropriate manner.
- **FAILURE TO REPLACE LOOSE OR DAMAGED PARTS COULD CAUSE DAMAGE TO THE EQUIPMENT AND/OR SERIOUS INJURY OR DEATH TO THE OPERATOR!**
- Verify that aggressive cleaning products are not used.
- **MAKE CERTAIN TO NEVER WELD, FLAME CUT/TORCH, OR PERFORM ANY GRINDINGWORK ON THE BP-9-220V WITHOUT WRITTEN AUTHORIZATION FROM BLASTPRO MANUFACTURING, INC!**
- Make certain that electrical equipment is inspected regularly.
- Verify that all screw connections that were undone during maintenance work are retightened prior to putting the machine back into operation.
- After performing maintenance operations on the BP-9-220V and dust collector, verify that all safety labels, guards, control panels, housings, lids, seals, casters, magnets and other parts that have been replaced are secure.

Check List

The tasks listed on this check list must be completed before the BP-9-220V can be put into operation. Completing these tasks is essential in order to increase the efficiency and safety of the BP-9-220V.

- Blades..... Check for excessive wear.
- Blast Wheel Check for balance and excessive wear.
- Top Liner Check for excessive wear.
- Lower Liner Check for excessive wear.
- Blast Wheel Bearings..... Check set screws and grease
(Lucas Red 'N' Tacky #2:
High Speed, High Temp).
- Shot Valve..... Make sure shot is not leaking from shot hopper.
- FiltersMake sure filters are secure and not clogged, ripped, or wet.
- Wheels..... Check for excessive wear.
- Belts Check quality and tension.
- Dust Collector Latches..... Make sure latch firmly secures door.

Operating Instructions

1. Verify that all personnel are competent and that they have read and understood the safety information in this manual. All personnel must follow all safety instructions and programs required by their company and the worksite.
2. Verify that the BP-9-220V is on a level, clean, debris-free and dry surface. Connect the hose from the dust collector to the BP-9-220V. Verify that all clamps are secure.
3. Verify that the dust bin in the dust collector is empty and that the hose is free of debris.
4. Verify that the switch on the control panel of the BP-9-220V is set to the OFF position.
5. Verify that the switch on the control panel of the dust collector is set to the OFF position.
6. After confirming proper voltage with a voltmeter, insert the plug from the BP-9-220V into a 220 volt electrical outlet.
7. After confirming proper voltage with a voltmeter, insert the plug from the dust collector into a 110 volt electrical outlet.

Note: For the dust collector, use an outlet which is operated by a separate circuit breaker than is being used to power the BP-9-220V.

8. Make sure that any hardwiring or circuit breaker changes are performed by a licensed electrician.
9. Before loading the steel shot into machine, turn the switch on the BP-9-220V and the dust collector to the ON position for two minutes so as to verify that the circuit breaker will not trip.
10. Disconnect the hose from the BP-9-220V to verify that the dust collector has proper suction.
11. After verifying proper suction, reconnect the hose to the BP-9-220V.
12. Check the seals on the BP-9-220V to verify that the seals are set at the proper height. The seals should be rubbing the surface of the concrete or steel.
13. Place a handful of steel shot in front of the BP-9-220V.
14. Push the BP-9-220V over the handful of steel shot. This will attach the steel shot to the magnetic seals and prevent shot from escaping from the BP-9-220V.
15. Pour steel shot into the BP-9-220V shot hopper to the bottom of the screen.
16. Turn the switch on the BP-9-220V to the ON position, squeeze the shot valve to open the shot valve, and push the BP-9-220V. Verify that the blast pattern is uniform. If blast pattern is uniform, then proceed to step #19. If blast pattern is not uniform, then release the shot valve handle to close the shot valve, turn the switch on the BP-9-220V to the OFF position, and proceed to step #17.
17. Adjust the control cage (if necessary, refer to Setting the Blast Pattern section below).
18. Turn the switch on the BP-9-220V to the ON position, squeeze the shot valve handle to open the shot valve, push the BP-9-220V, and verify that the blast pattern is uniform.
19. Once blast pattern is uniform, start shotblasting.

Setting the Blast Pattern

Setting the proper blast pattern is determined by trial and error. The importance of selecting the proper blast pattern cannot be overstated. An improper or unevenly distributed blast pattern will result in excessive blasting on either the right side or left side of the machine and will leave shadows or “track” lines in the blast pattern.

When setting the blast pattern perform the following steps:

1. Verify that the blast wheel is rotating in the direction shown on the blast housing.
2. Place a sheet of steel approximately ¼” thick under the machine and then blast with the shot valve fully open for approximately one minute.

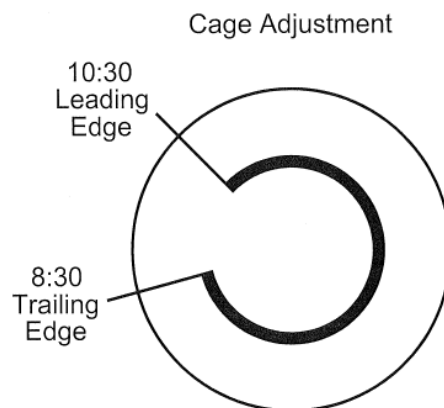
Note: Do not move the machine during this time.

3. After blasting for one minute, shut down the machine and inspect the blast pattern. The “hot spot” should be in the center of the width blasted. The “hot spot” can be altered by rotating the control cage in small increments. Rotating the control cage in a counter-clockwise direction will move the “hot spot” to the right while rotating the control cage in a clockwise direction will move the “hot spot” to the left. If you visualize a clock, the opening of the control cage should be set at approximately 10:30 (leading edge) and 8:30 (trailing edge) on the clock (see Proper Control Cage Setting Drawing below). The size of steel shot used will impact where the “hot spot” appears in the blast pattern. The operator will need to adjust the control cage based upon the size of steel shot utilized.

Note: The setting of the control cage will vary depending both on the size of shot used and on the type of surface being blasted. When altering the position of the control cage, make sure to only adjust it in small increments. Keep adjusting the control cage until the desired blast pattern has been obtained. Once the desired blast pattern has been obtained, the blast pattern should remain consistent.

Note: Four factors may affect the blast pattern. Of these, the control cage setting is the most crucial. Other factors that may also affect the blast pattern include the size of the shot being used, the wheel rotation, and the worn wheel kits. If adjusting the control cage setting does not allow the desired blast pattern to be achieved, then it is important to narrow down what is causing the problem. First, take into consideration the size of shot being used. If this does not resolve the problem, then check and, if necessary, replace the wheel rotation and the worn wheel kits.

Proper Control Cage Setting Drawing



Transportation

When transporting the BP-9-220V shot blasting machine, it is strongly recommended that personnel act in a manner so as to reduce the potential that damage takes place as a result of using excessive force or of using incorrect loading and unloading procedures. Before transportation, the BP-9-220V should be separated into machine, filter unit, and general accessories.

Note: Personnel must remove any shot from the machine before it is transported. Also, the machine may only be lifted by using the suspension eyelets; forklifts should never to be used to transport the BP9-220V shot blasting machine.

Wear Parts

The BP-9-220V contains parts which are continually exposed to steel shot moving at high rates of speed. Exposure to steel shot traveling at high rates of speed and concrete dust causes these parts to deteriorate. As a result, the operator or maintenance personnel should inspect the BP-9-220V wear parts prior to operation and change the parts as necessary. Wear parts and inspection times, other than inspection prior to use, on the BP-9-220V are listed below:

Part	When to Inspect	Evidence of Wear
Shot Hopper	30 hours	Warping or thin spots
Feed Spout	50 hours	Thin spots
Blast Wheel	10 hours	Blades deteriorated > 50%
Control Cage	10 hours	Deteriorated edges
Blast Wheel Hub	10 hours	Missing pins/deterioration
Liners	10 hours	Warping, holes, deterioration
Blast Housing	50 hours	Thin sections or other deteriorations

Note: Parts of the BP-9-220V which should also be inspected regularly but are not exposed to steel shot are the control panel, motor, electric cords, dust collector hose, filters, and motors. If any of these components show signs of wear they should be repaired so that they are in the same working condition as when they were new. If they cannot be repaired, then they should be replaced immediately.

Essential Parts

Part Number	Part Description
WEAR PARTS KIT BP-9-220V	Spare parts starter kit
LITTLE RED	RUWAC Little Red industrial vacuum
LITTLE RED VAC HOSE	25' vacuum hose
POWER CORD-01	Power cord (pricing ft.)
SHOT-02	Steel shot (35 lbs.)
BT6917480	Blast wheel kit
BT4973070	Top liner
BT6908260	Right side liner
BT6908250	Left side liner
BT6762750	Wheel hub
BT6811550	Side seal
BT6908300	Front/rear bush
BTP000001	Shot valve assembly
BT6933320	Abrasive cable
MAGNET-01	25" heavy duty magnetic floor sweeper with release
MAGNET-02	37" heavy duty magnetic floor sweeper with release

Maintenance

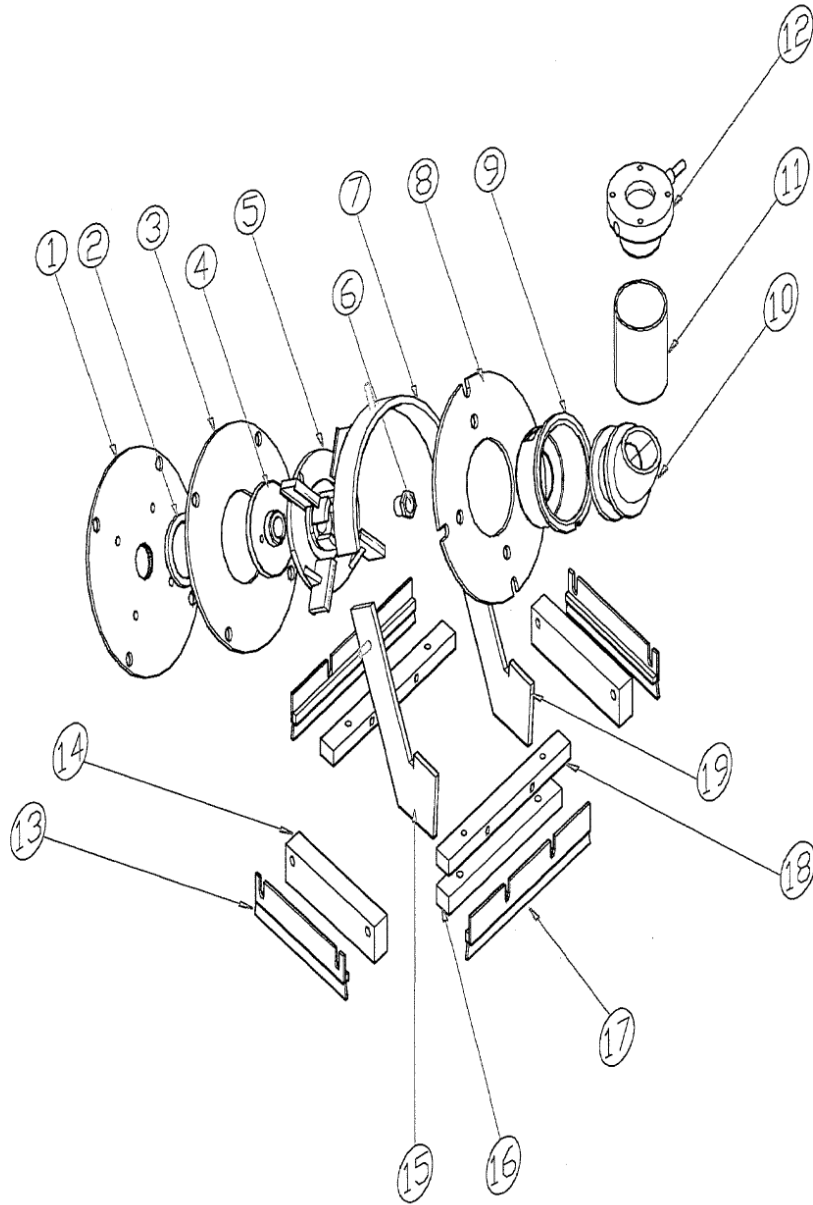
Blast Wheel Removal and Installation

When the blades on the blast wheel are deteriorated by 50% or more, then the blast wheel should be replaced. To replace the blast wheel, perform the following steps:

1. Verify that the control switch is in the OFF position.
2. Verify that the power cord is NOT plugged into an electrical outlet.
3. Verify that the shot valve is closed.
4. Loosen all nuts and clamps that secure the feed spout and the control cage.
5. Remove the feed spout.
6. Remove the control cage.
7. Mark plate with ink pen where control cage openings appear to aid in realignment.
8. Remove the four sets of nuts and washers securing the control cage assembly to the housing.
9. Remove the control cage assembly.
10. Remove the arbor nut and the blast wheel.
11. Check the wheel hub for wear and replace when necessary.
12. Install the new blast wheel and the arbor nut.
13. Reattach the control cage assembly that was previously removed.
14. Insert the new control cage that was provided with the blast wheel kit. Spin the blast wheel by hand to verify that the blast wheel and the control cage do not come into contact with one another. Openings of control cage should be set at approximately 10:30 (leading edge) and 8:30 (trailing edge).
15. Reattach the feed spout.
16. Verify that all nuts are tight and secure.
17. Briefly activate the grinder motor to verify good balance and proper clearance.

Note: Only blast wheels manufactured by BlastPro Manufacturing, Inc. should be used by the BP-9-220V. Other blast wheels that have not been tested by BlastPro Manufacturing, Inc. could result in damage to the equipment or injury to the operator.

BP-9-220V Drawing



BP-9-220V Parts List

Part Name	Part Number
1. Mounting Plate/Grinder	BTP002628
2. Felt Seal	BTP002656
3. Seal / Bearing Unit	BTP001125
4. Hub / Wheel	BTP002617
5. Wheel / 6½" Open Face	BT459550
6. Arbor Nut	BTP002639
7. Top Liner	BT497307
8. Control Cage Bracket	BT976324
9. Control Cage	BT451476
10. Feed Spout	Included with Item #12
11. Feed Spout Hose	Included with Item #12
12. Shot Valve	BTP000001
13. Side Brush	BT6908301
14. Side Magnet	BT969780
15. Liner-R.H. Side	BT690826
16. Front-Rear Magnet	BT969763
17. Front Rear Brush	BT6908300
18. Magnet-Brush Bracket	BTP002618A
19. Liner-L.H. Side	BT690825

Shotblasting Problems & Possible Solutions

Problem: The breaker trips when the BP-9-220V and the dust collector are turned to the ON position.

Possible Solution: The BP-9-220V and the dust collector should be powered by separate breakers. Find electric outlets with separate breaker switches and use accordingly. Also, check circuit breaker sizes.

Problem: The BP-9-220V is vibrating excessively.

Possible Solution: Check the blast wheel immediately. Excessive vibration is usually caused by the blast wheel being out of balance due to it being worn or by blades being broken or chipped. So, install a new blast wheel kit. Failure to install a new wheel kit in this instance could lead to serious damage to machine.

Problem: The BP-9-220V is creating excessive noise.

Possible Solution: This problem is most likely caused by an improper alignment of the blast wheel and the control cage. Check alignment of blast wheel and control cage immediately and verify that there is adequate clearance between the blast wheel and the control cage.

Problem: The BP-9-220V is creating excessive wear on liners and blast housing.

Possible Solution: Adjust control cage so that the “hot spot” is centered in the work area rather than on the liners or the housing.

Problem: The BP-9-220V is dropping an excessive amount of steel shot.

Possible Solution: Verify that the “hot spot” is centered properly and adjust control cage as necessary. Verify that the seals do not have excessive wear, that the feed spout is aligned properly, and that the shot valve is closing when shot lever is released. Verify that the dust collector has adequate suction.

Problem: The blasting performance of the BP-9-220V has diminished.

Possible Solution: Verify that there is an adequate amount of steel shot in the shot hopper and that shot is free of concrete dust or other contaminants. Verify that there are no obstructions in the shot valve or feed spout and that the feed spout is properly aligned. Verify that the shot valve is opening properly. Verify that the blast wheel and the control cage are not excessively worn. Verify that the dust collector has adequate suction.

Problem: The BP-9-220V is difficult to push or gets stuck in areas.

Possible Solution: Verify that the seals are positioned properly and that they are not too close to the floor. Raise height of seals if necessary.

Problem: The steel shot in the shot hopper contains an excessive amount of concrete dust.

Possible Solution: Verify that the vacuum has good suction. If it is found that the vacuum does have good suction, then increase the travel speed of the BP-9-220V to reduce the amount of concrete being removed. If this does not produce an adequate profile, then make additional passes over the floor surface.

Problem: The BP-9-220V or the dust collector is emitting concrete dust.

Possible Solution: Verify there are no holes in the duct hose leading from the BP-9-220V to the dust collector. Verify that the filters in the dust collector are properly installed and are clean. If necessary, then replace the filters in the dust collector.

Problem: Steel shot is being sucked into the dust bin.

Possible Solution: The dust collector is producing too much suction for the size of shot being used. Restrict air flow on the dust collector.