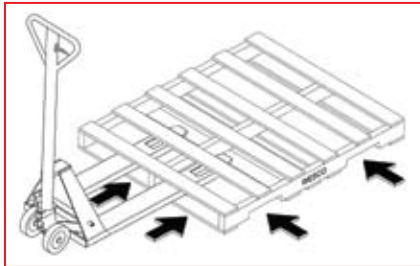


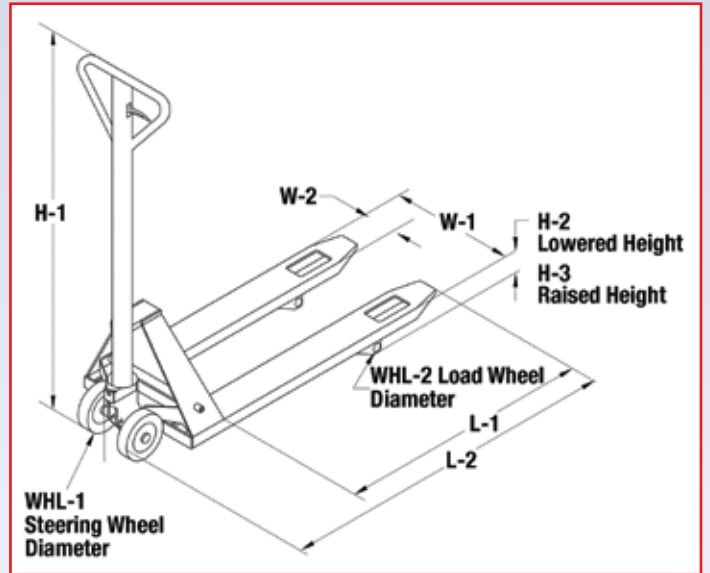


273400



4-Way Pallet Truck

- 3 year pump warranty.
- Overload bypass.
- Reinforced forks.
- Rubber coated handle.
- 101° steering
- Can enter pallet from all 4 sides.
- Adjustable fork connecting rods.
- Steel 1.70" load wheels.
- 6" polyurethane steering wheels.



272667

Pallet Truck With Hand Brake

- 2 year pump warranty.
- All the same features as the CPI model.
- 6" wide forks.
- 7" moldon polyurethane steeringwheels.
- 3" moldon polyurethane load wheels.
- Disc brake.
- Tandem load wheels.



272149

MOST ECONOMICALLY PRICED PALLET TRUCK

Economizer Pallet Truck

- 1 year pump warranty.
- Fingertip control: raise - neutral - lower.
- Polyurethane load and steering wheels.

Part #	273400
Capacity	4,000 lbs
W-1 x L-1	33" x 48"
W-2	6.75"
L-2	59"
WHL-1 / WHL-2	6" / 1.7"
H-1/H-2/H-3	47" / 1.75" / 6"
Weight	241 lbs

Part #	272667
Capacity	5,500 lbs
W-1 x L-1	27" x 48"
W-2	6"
L-2	63"
WHL-1 / WHL-2	7" / 3"
H-1/H-2/H-3	48.25" / 2.9" / 7.25"
Weight	206 lbs

Part #	272149
Capacity	4,400 lbs
W-1 x L-1	27" x 48"
W-2	6"
L-2	63"
WHL-1 / WHL-2	6.25" / 3"
H-1/H-2/H-3	48.25" / 2.9" / 7.5"
Weight	136 lbs