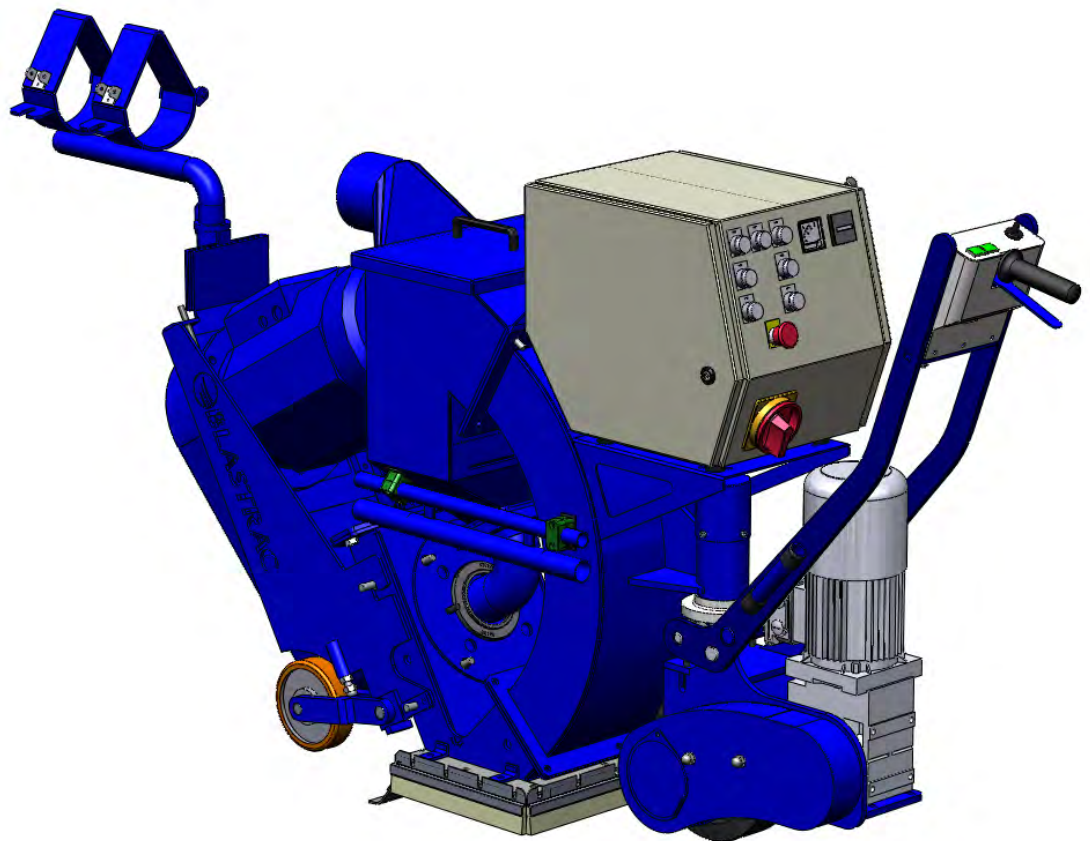




1-10DS Global

Version 1.4



Index

1. Spare parts	03
2. Maintenance box	11
Contact	



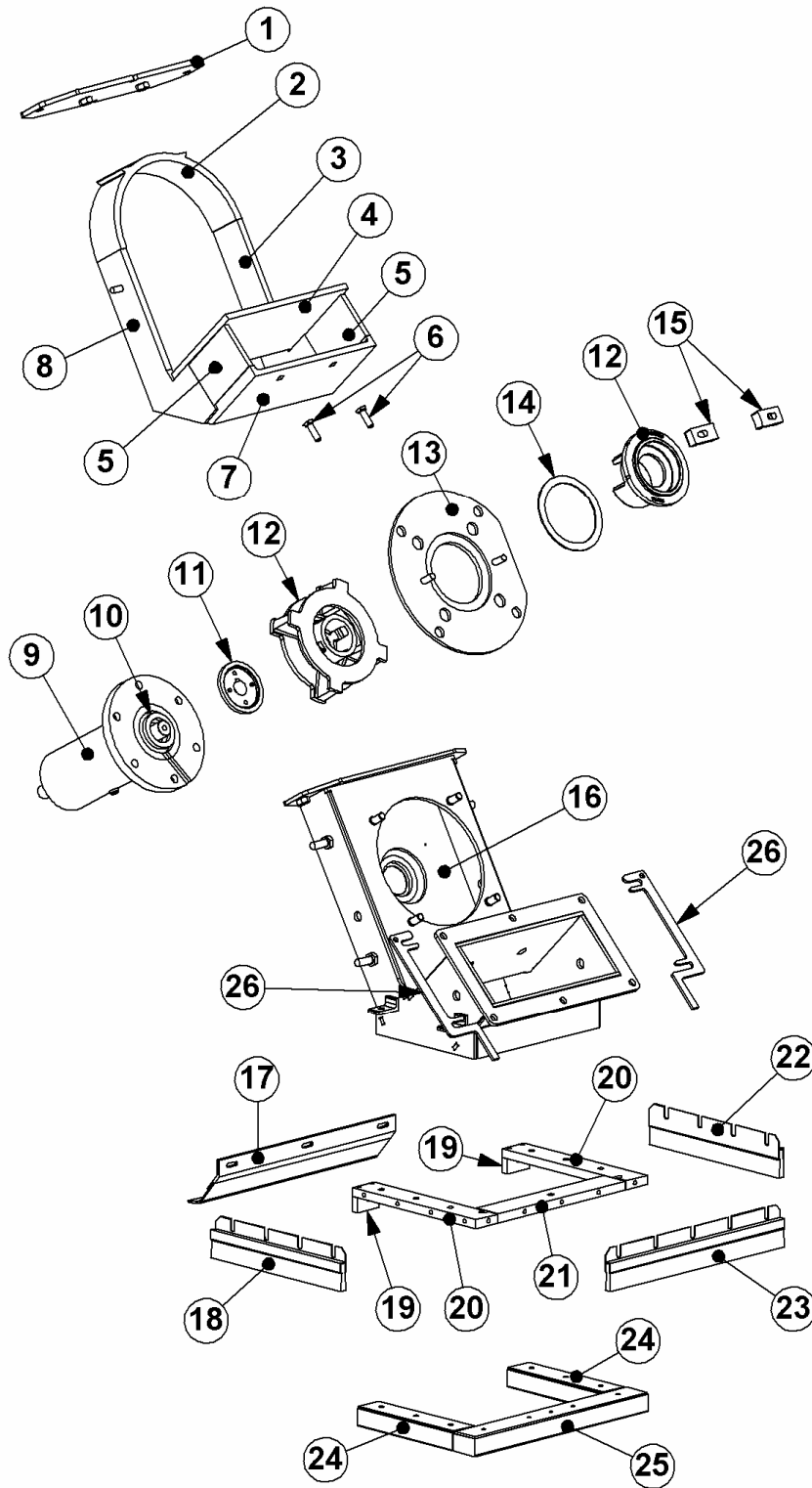


Fig. 01

Fig. 01

Item	Part number	Description	Remarks	Qty.
1	E00766	Blasthousing cover		1
2	B20325	Top liner		1
3	B20399	Side liner RH		1
4	490044	Plenum top liner		1
5	972275	Plenum side liner		2
6	969579	Liner screw M10 x 35		2
7	969572	Plenum bottom liner		1
8	B20398	Side liner LH		1
9	E00842	Bearing unit		1
10	B20295	Felt seal BU flange		1
11	B20397	Hub s/sided wheel		1
12	B20536K	Tune-up kit		1
13	979644	Blastwheel cover plate		1
14	972781	Control cage shim		1
15	969803	Control cage clamp		2
16	E00762	Blasthousing 1-10DS MK4		1
17	679674	Skid seal		1
18	B20411	Side strip brush RH		1
19	481350	Spacer side magnet rear		2
20	E00968	Insulator side		2
21	E00969	Insulator front		1
22	B20423	Side strip brush LH		1
23	B20410	Front strip brush		1
24	490047	Magnet side		2
25	970030	Magnet front		1
26	P003047	Blast pattern indicator		2

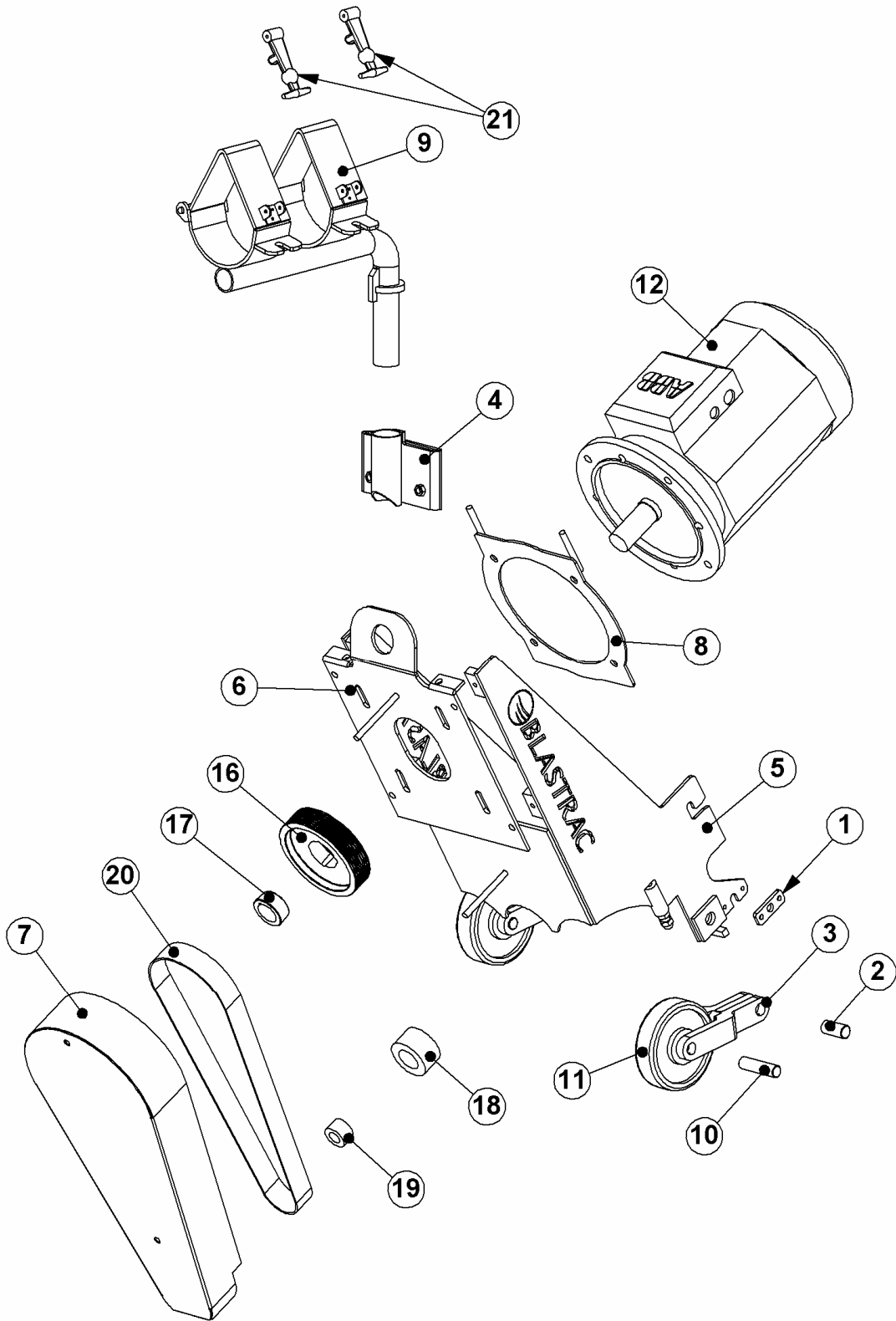


Fig. 02

Fig. 02

Item	Part number	Description	Remarks	Qty.
1	970171	Keep plate		2
2	970256	Pivot pin		2
3	E00714	Idler wheel support bracket		2
4	E00745	Cable guide bracket		1
5	E00760	Motor bracket		1
6	E00767	Front plate top		1
7	E00768	Pulley guard		1
8	E00769	Fill up plate blastmotor		1
9	E00835	Hose guide		1
10	970258	Axle pin		2
11	001228	Idler wheel		2
12	E04642	Blastmotor 11kW		1
16	491523/1	Poly-V pulley		1
17	DG15	Taper lock bush		1
18	2613-501	Poly-V pulley		1
	E00466-1	Bottom pulley	60Hz	1
19	976873	Taperlock bush		1
	222-2172-V	Taper lock bush	60Hz	1
20	E00852	Poly-V belt		1
21	500-1195	Rubber latch assy		2

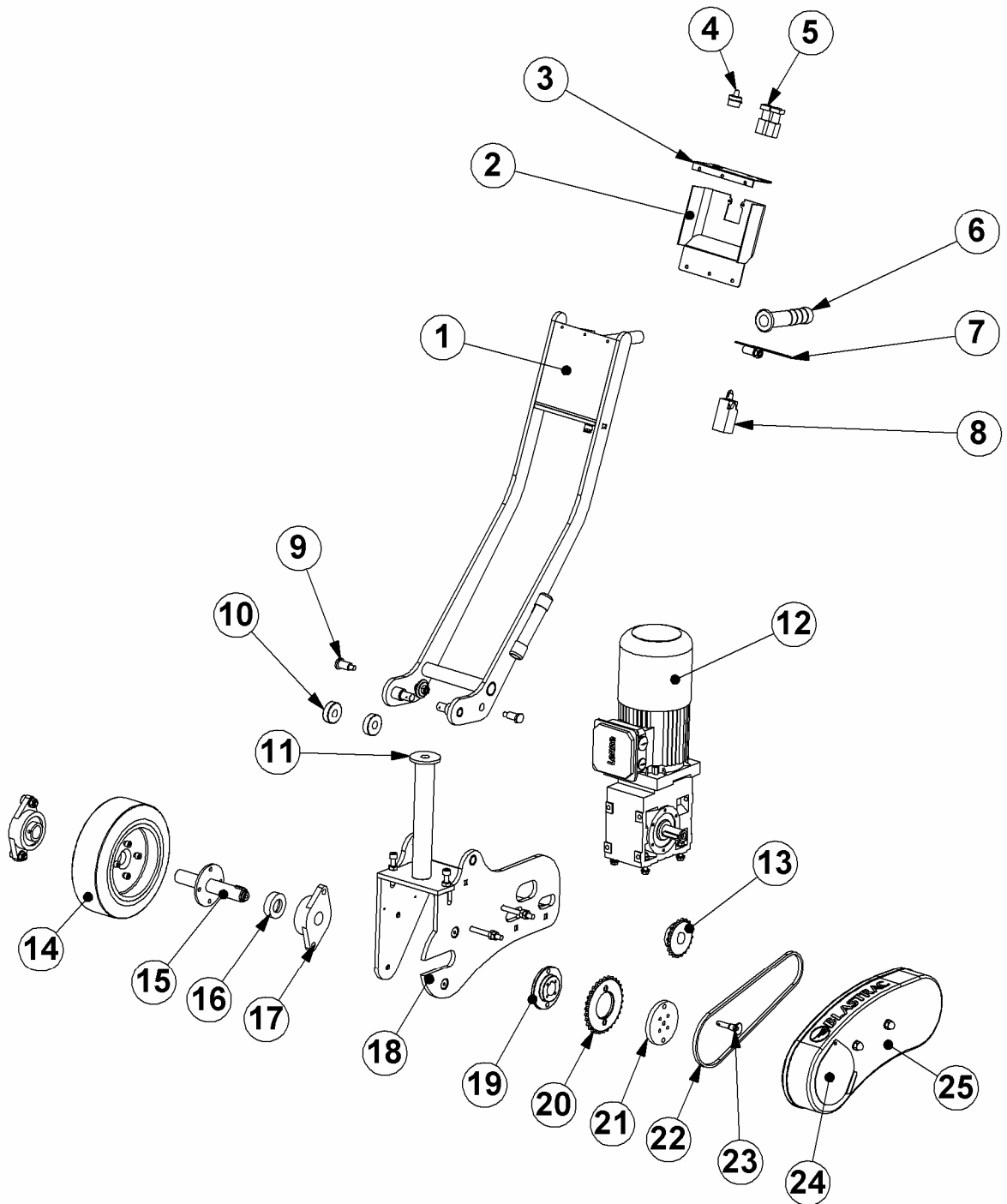


Fig. 03

Fig. 03

Item	Part	Description	Remarks	Qty.
1	E00737	Handle		1
2	E00740	Control box		1
3	E00741	Control box top plate		1
4	E00866	Potention meter complete (consists out of item 4.1 & 4.2)		1
4.1	E00866/1	Potmeter only with soldered contact block		1
4.2	E00866/2	Potmeter holder		1
5	E00867	Switch		2
6	453290	Handle grip		1
7	E00743	Switch lever		1
8	454796	Limit switch		1
9	E00738	Handle pin		2
10	B20517	Bearing		2
11	971860	Washer for yoke shaft		1
12	E00639	Drive motor		1
13	E00641	Sprocket		1
14	476405	Traction wheel		1
15	E00742	Drive wheel shaft		1
16	E07293	Distance bush drive wheel		1
17	009324	Bearing drive wheel		2
18	E00739	Drive wheel bracket		1
19	488551	Hub		1
20	477631	Idler sprocket		1
21	477630	Sprocket retainer		1
22	E00237	Chain		0.9m
22.1	E00238	Chain link		1
23	478198	Quick release pin		1
24	979971	Cover plate chain guard		1
25	E00744	Chain guard		1

Fig. 04

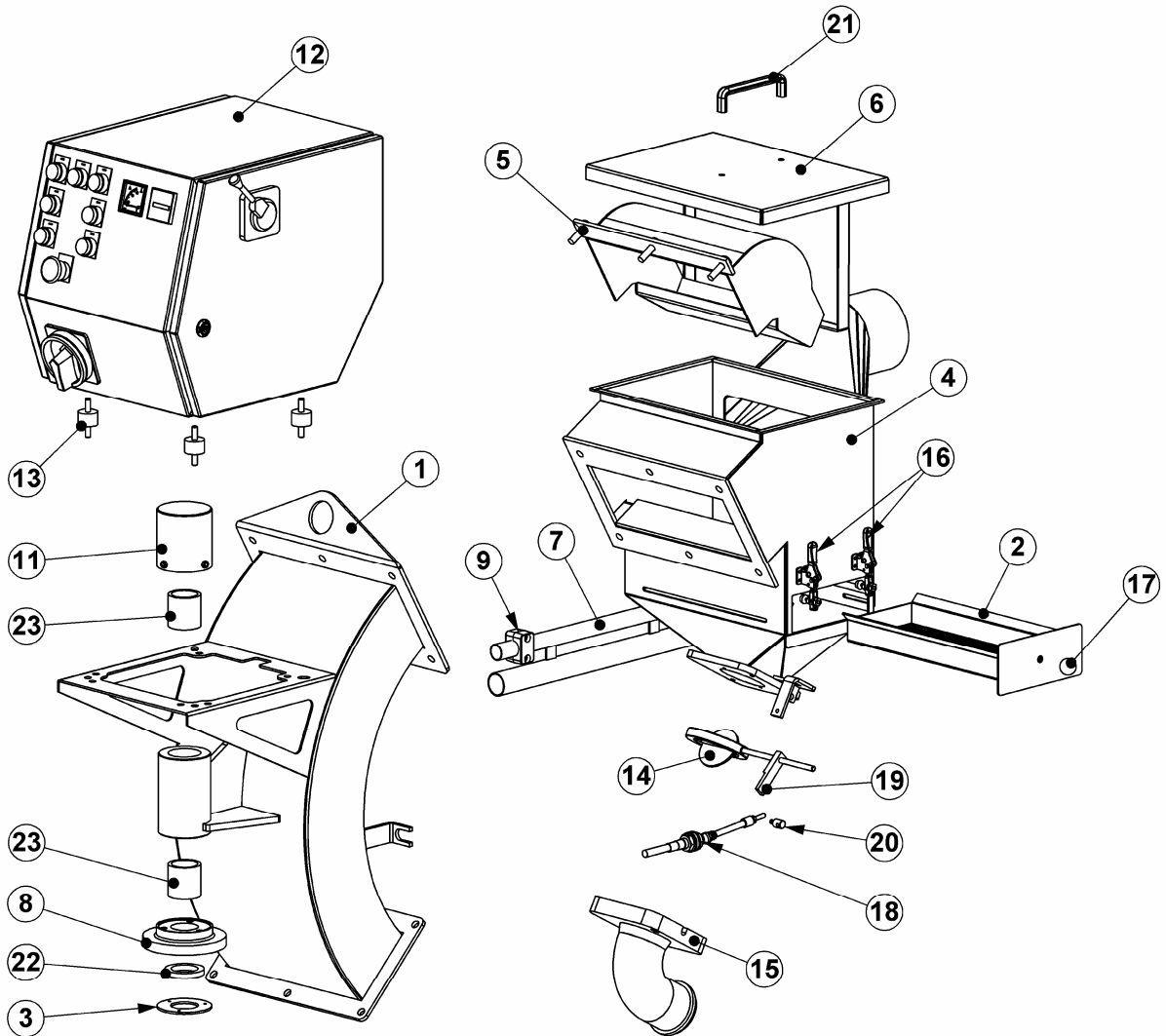


Fig. 04

Item	Part number	Description	Remarks	Qty.
1	E00763	Rebound		1
2	970117-1	Separator tray		2
3	B20512	Seal retainer		1
4	E03057	Separator		1
5	980012	Deflector		1
6	980011	Separator lid		1
7	E03166	Cable guide		1
	E06903	Cable guide	Dual voltage	1
8	B20511	Lifting plate		1
9	DG39	Pipe clamp Ø25 (set of 2)		2
11	B20515	Shaft cover		1
12	E00659	Electrobox 1-10DS Global		1
	E05019	Electro box 1-10DS Global Dual Voltage UL	Dual voltage	1
13	456550	Shock absorber		4
14	B20444	Magnetic valve assembly		1
15	B20443	Feed spout		1
16	001084	Clamp for separator tray		2
17	B21325	Ball head for separator		1
18	B20520	Control cable		1
19	B20446	Lever magnetic valve		1
20	B20521	Pivot for abrasive control cable		1
21	970385	Handle		1
22	B20595	Felt seal		1
23	971341	Oilite bush		2

3. Maintenance box 1-10DS Global E03187

Item	Partnumber	Description	QTY
1	001022	Metal box	1
2	B20398	Left liner	1
3	B20399	Right liner	1
4	B20325	Top liner	1
5	B20536K	Tune-up kit	3
6	B20520	Abrasive control cable	1
7	679674	Skid seal	1
8	B20423	Side brush left	2
9	B20411	Side brush right	2
10	B20410	Front brush	2
11	E00852	Belt	3
12	001017	Open-end spanner 10/11	1
13	001018	Open-end spanner 13/15	1
14	001019	Open-end spanner 17/19	1
15	001042	Open-end spanner 24/26	1
16	001033	Allenkey 3	1
17	001016	Allenkey 6	1
18	000151	Hammer	1
19	000144	Ratchet spanner ½"	1
20	000150	Box spanner SW 8 mm	1
21	000146	Box spanner SW 13mm	1
22	000147	Box spanner SW 17mm	1
23	000148	Box spanner SW 19mm	1
24	001037	Screwdriver 6 x 25	1
25	001032	Screwdriver 5,5 x 100	1
26	001035	Insulated screwdriver	1
27	001056	Water pump pliers	1
28	001031	Safety glasses	1

Headquarter

*Blastrac BV The Netherlands
Utrechthaven 12
NL - 3433 PN Nieuwegein
Tel: 0031 (0)30 601 88 66
Fax: 0031 (0)30 601 83 33
info@blastrac.nl*

*Blastrac United Kingdom
Unit 2, Outgang Lane, Dinnington
Sheffield, South Yorkshire
GB – S25 3QU, England
Tel: 0044 (0) 1909 569 118
Fax: 0044 (0) 1909 567 570
info@blastrac.co.uk*

*Blastrac France
ZI
29, Avenue des Temps Modernes
F – 86360 Chasseneuil du Poitou
Tel: 0033 (0)5 49 00 49 20
Fax: 0033 (0)5 49 00 49 21
info@blastrac.fr*

*Blastrac Spain
Calle Copernico, 16
Nave 2
E – 28820 Coslada
Tel: 0034 91 660 10 65
Fax: 0034 91 672 72 11
info@blastrac.com.es*

*Blastrac Germany
Mathias Brüggén Straße 144
D – 50829 Köln (Ossendorf)
Tel: 0049 (0) 221 70 90 32 0
Fax: 0049 (0) 221 70 90 32 22
info@blastrac.de*

*Blastrac Poland
Golina, Dworcowa 47a
63-200 Jarocin
Tel: 0048 62 740 40 27
Fax: 0048 62 740 40 27
info@blastrac.pl*

