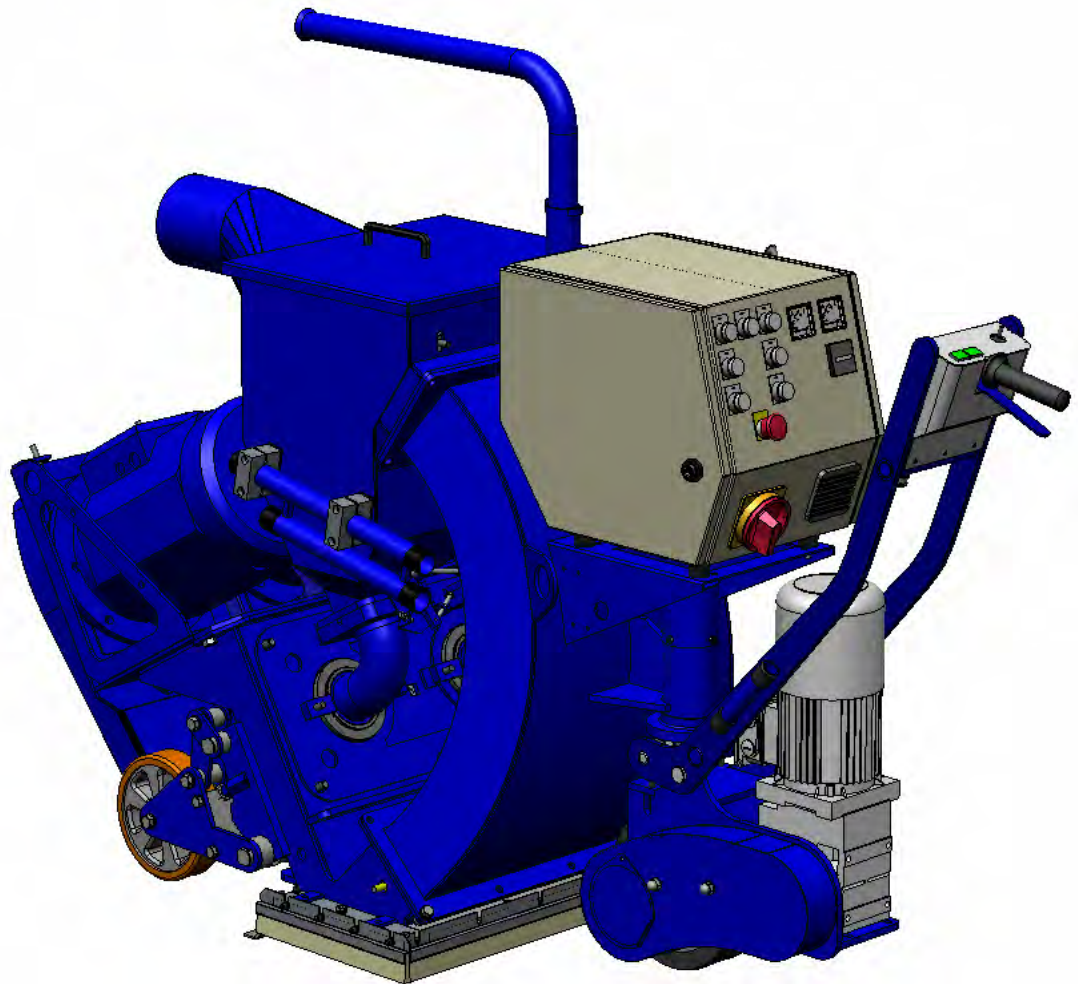




2-20DT

Version 1.3



EC DECLARATION OF CONFORMITY

in accordance with Appendix II sub A of Directive 2006/42/EC

BLASTRAC B.V.

Utrechthaven 12
NL - 3433 PN NIEUWEGEIN
Tel: 0031 (0)30 601 88 66
Fax: 0031 (0)30 601 83 33
Info@Blastrac.nl
The Netherlands

Declare under our sole responsibility that the machine as described below
Conforms with the Health and Safety requirements of the European Directive
of the machine Safety.

In case of changes to the machine without our written authorization this declaration loses
its validity.

Model: **BLASTRAC 2-20DT** **Serial number:**

1. satisfies the conditions set out in the Machine Directive (Directive 2006/42/EC);
Low voltage directive (2006/95/EC, as last amended; EMC directive 2004/108/EC,
as last amended)
2. satisfies the following harmonized standards:
NEN-EN 349, NEN-EN 418, NEN-EN 294 and NEN-EN 60204

Nieuwegein



Michiel Kalisvaart



Index

1. Spare parts	04
2. Maintenance box	15
Contact	



1. Spare parts

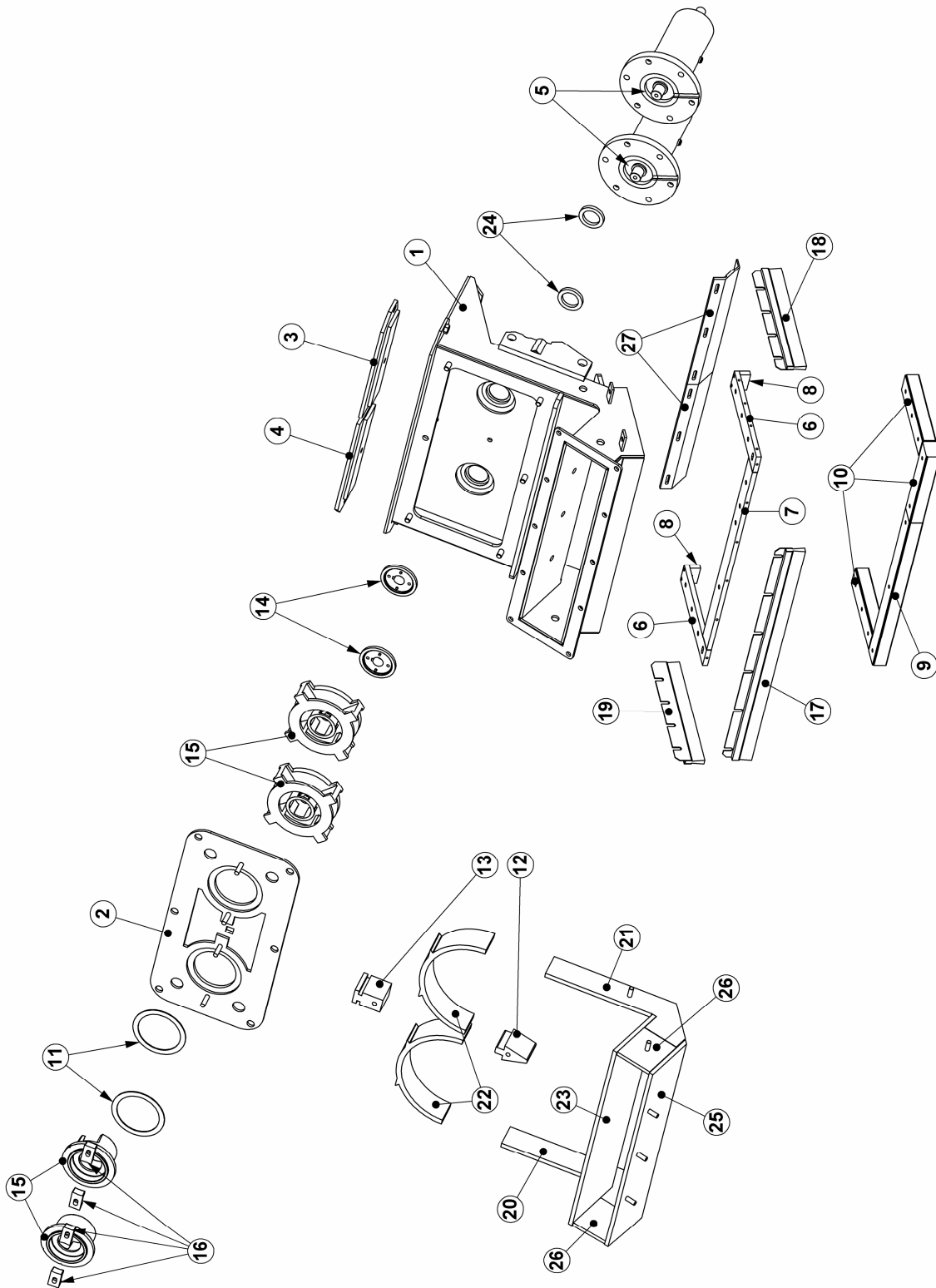


Fig. 01

Fig. 01

Item	Part number	Description	Remarks	Qty.
1	E03022	Blasthousing 2-20DT		1
2	B21317	Blastwheel cover plate		1
3	B21319	Blasthousing cover RH		1
4	B21318	Blasthousing cover LH		1
5	E00842	Bearing unit complete		2
6	489945	Insulator side		2
7	B21309	Insulator front		1
8	481350	Spacer side magnet rear		2
9	B20804	Magnet side		1
10	490047	Magnet side		3
11	972781	Control cage shim		2
12	B21316-1	Centerliner bottom part		1
13	B21316-2	Center liner top part		1
14	B20397	Hub		2
15	B20536K	Tune up kit		2
16	969803	Control cage clamp		4
17	B21330	Side strip brush RH		1
18	E00457	Side strip brush LH		1
19	E00458	Side strip brush LH		1
20	B21313	Side liner LH		1
21	B21312	Side liner RH		1
22	B20325	Top liner		2
23	B21315	Plenum top liner		1
24	B20295	Felt seal Ø60x8		2
25	B21314	Plenum bottom liner		1
26	970153	Plenum bottom side liner		2
27	B21320	Skid seal		2

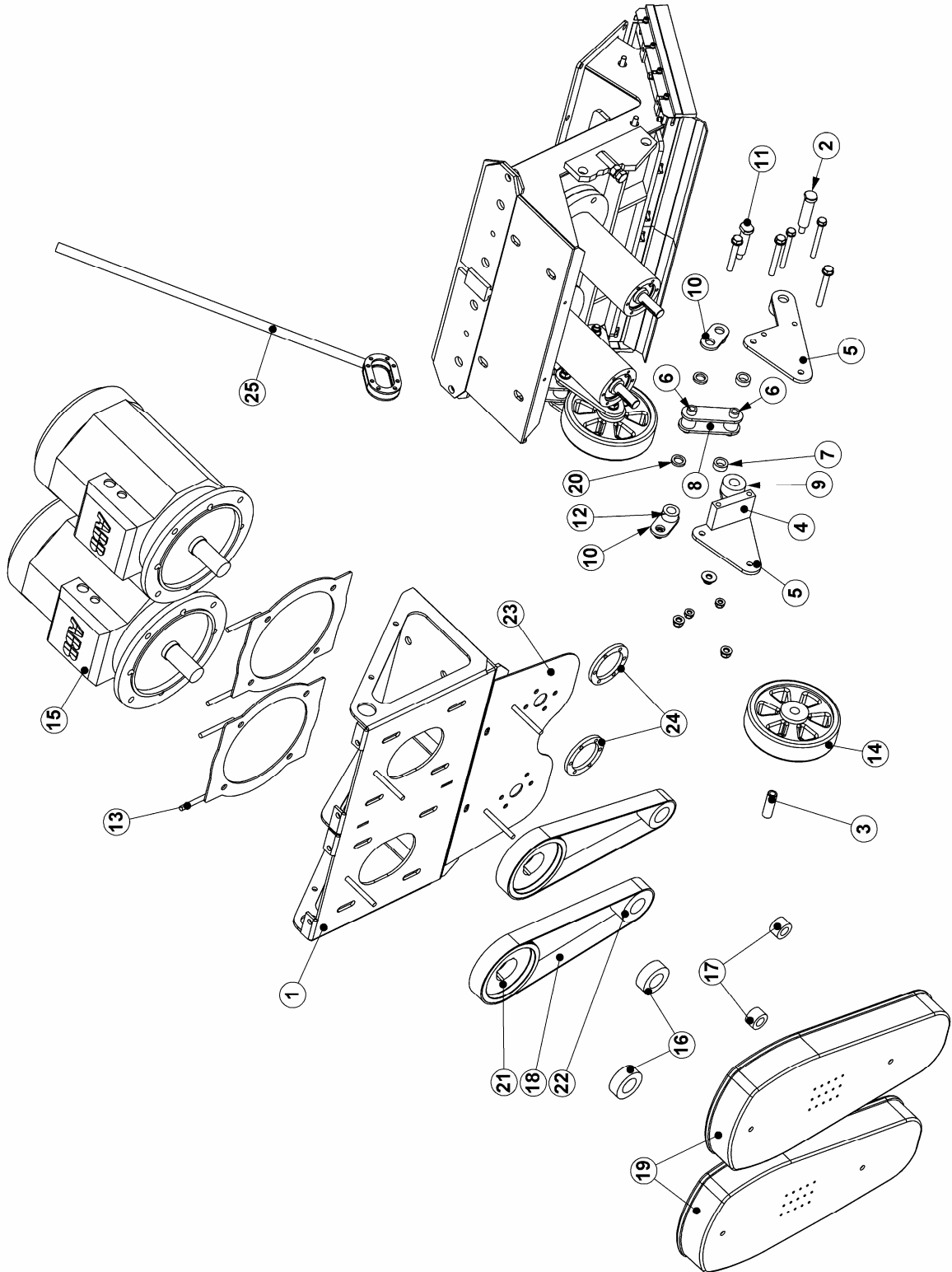


Fig. 02

Fig. 02

Item	Part number	Description	Remarks	Qty.
1	E00836	Motor bracket ABB twin		1
2	E06468	Bottom bolt		2
3	E06470	Idler wheel bush		2
4	E06475	Distance plate		2
5	E06465	Wheel bracket side plate		4
6	E06471	Lever shaft		4
7	E06473	Lever bush bottom		4
8	E06466	Bottom lever		4
9	E06472	Wheel bracket bush		4
10	E06467	Top lever		4
11	E06469	Top bolt		2
12	E06474	Lever bush top		4
13	E00769	Fill up plate blastmotor		2
14	B20842	wheel		2
15	E04642	Blastmotor 11 kW		2
16	DG15	Taper lock		2
17	976873	Taper lock		2
18	491522	Poly V belt	50Hz	2
	E00468	Poly V belt	60Hz	2
19	970168	Pulley guard		2
20	E06855	Lever bush middle		4
21	491523/1	Poly V pulley		2
22	2613-501	Poly V pulley (50Hz)	50Hz	2
	E00466	Poly V pulley (60 Hz)	60Hz	2
23	E00837	Back plate belt guard twin		1
24	E00864	Fill up ring bearing unit		2
25	B21917	Lever		1

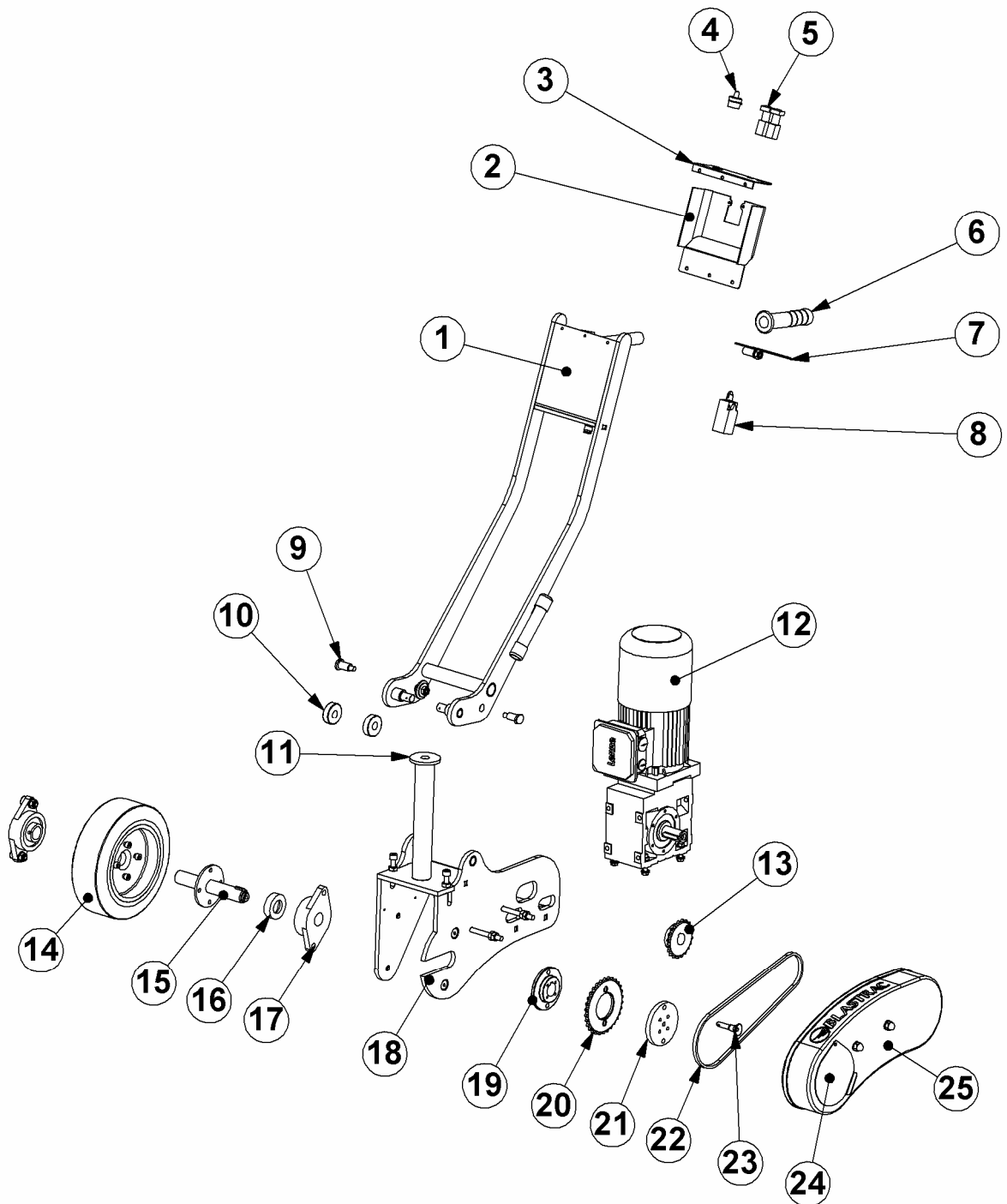


Fig. 03

Fig. 03

Item	Part	Description	Remar	Qty.
1	E00737	Handle		1
2	E00740	Control box		1
3	E00741	Control box top plate		1
4	E00866	Potion meter complete (consists out of item 4.1 & 4.2)		1
4.1	E00866/1	Potmeter only with soldered contact block		1
4.2	E00866/2	Potmeter holder		1
5	E00867	Switch		2
6	453290	Handle grip		1
7	E00743	Switch lever		1
8	454796	Limit switch		1
9	E00738	Handle pin		2
10	B20517	Bearing		2
11	971860	Washer for yoke shaft		1
12	E00646	Drive motor		1
13	E00732	Sprocket		1
14	476405	Traction wheel		1
15	E00742	Drive wheel shaft		1
16	E07293	Distance bush drive wheel		1
17	976682	Bearing drive wheel		2
18	E00739	Drive wheel bracket		1
19	488551	Hub		1
20	477631	Idler sprocket		1
21	477630	Sprocket retainer		1
22	E00237	Chain		0.9m
22.1	E00238	Chain link		1
23	478198	Quick release pin		1
24	979971	Cover plate chain guard		1
25	E00744	Chain guard		1

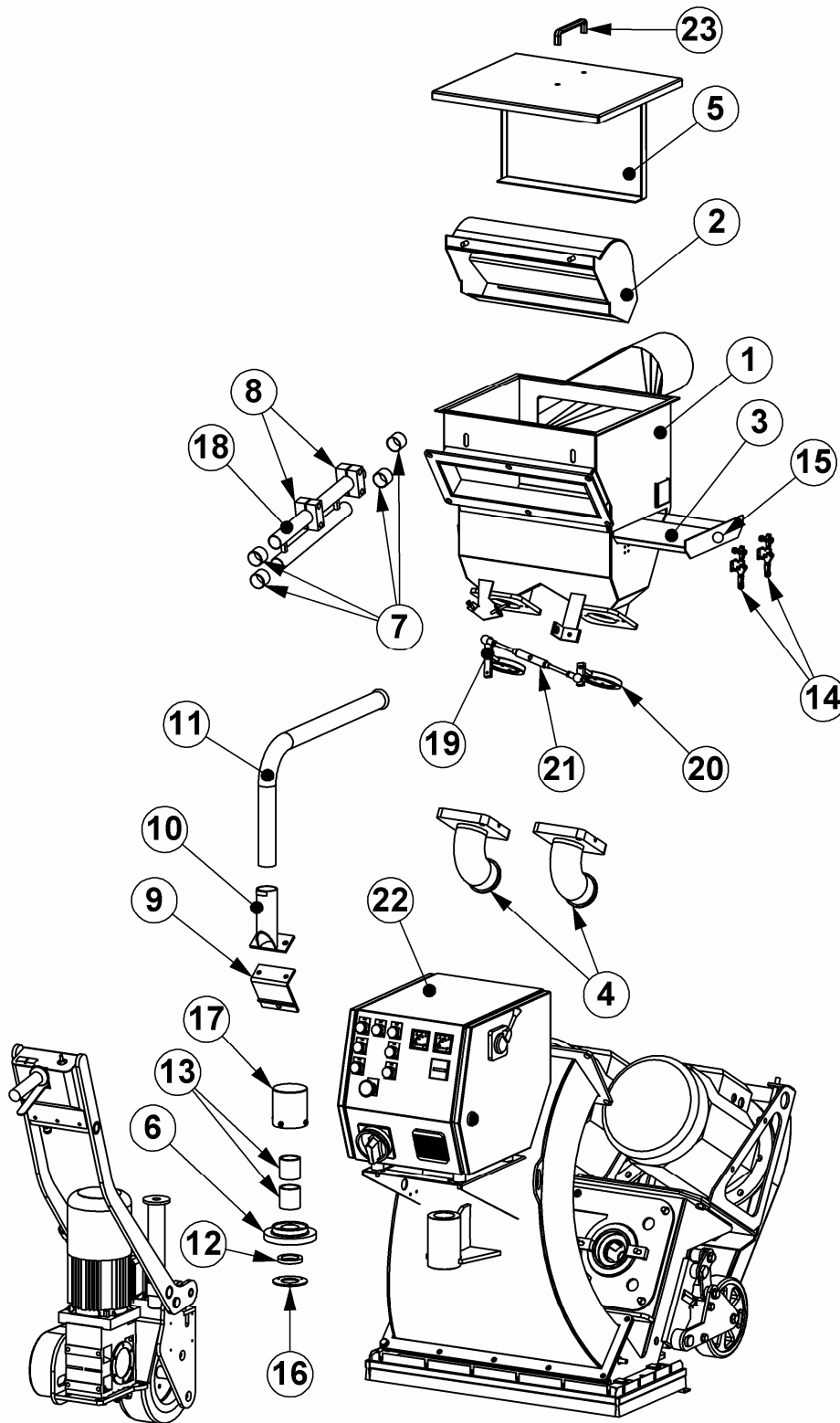
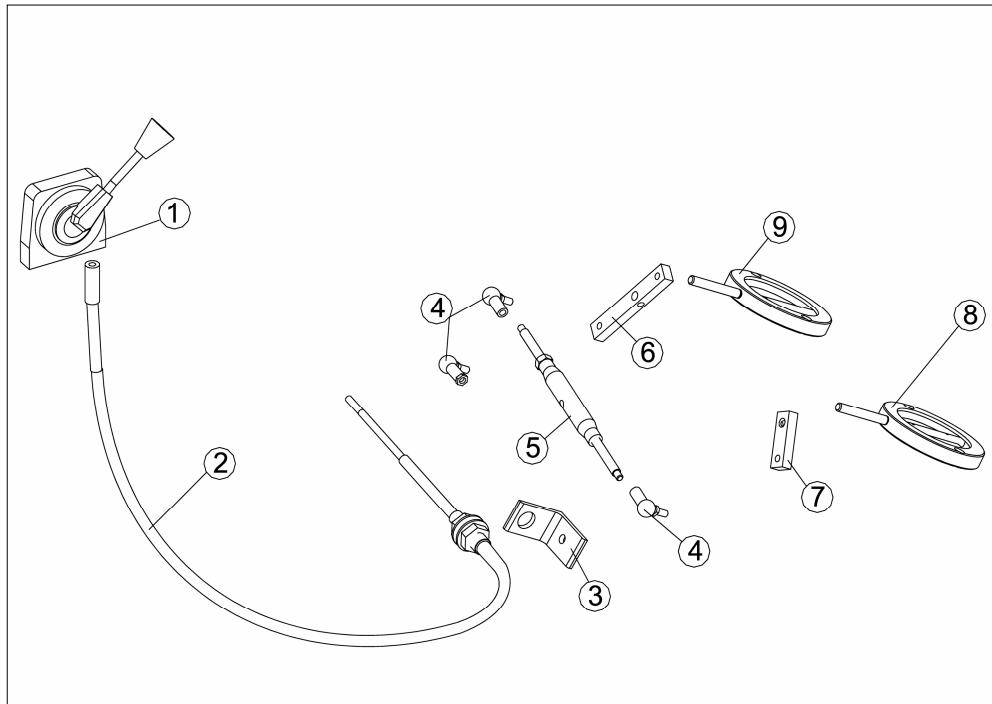


Fig. 04

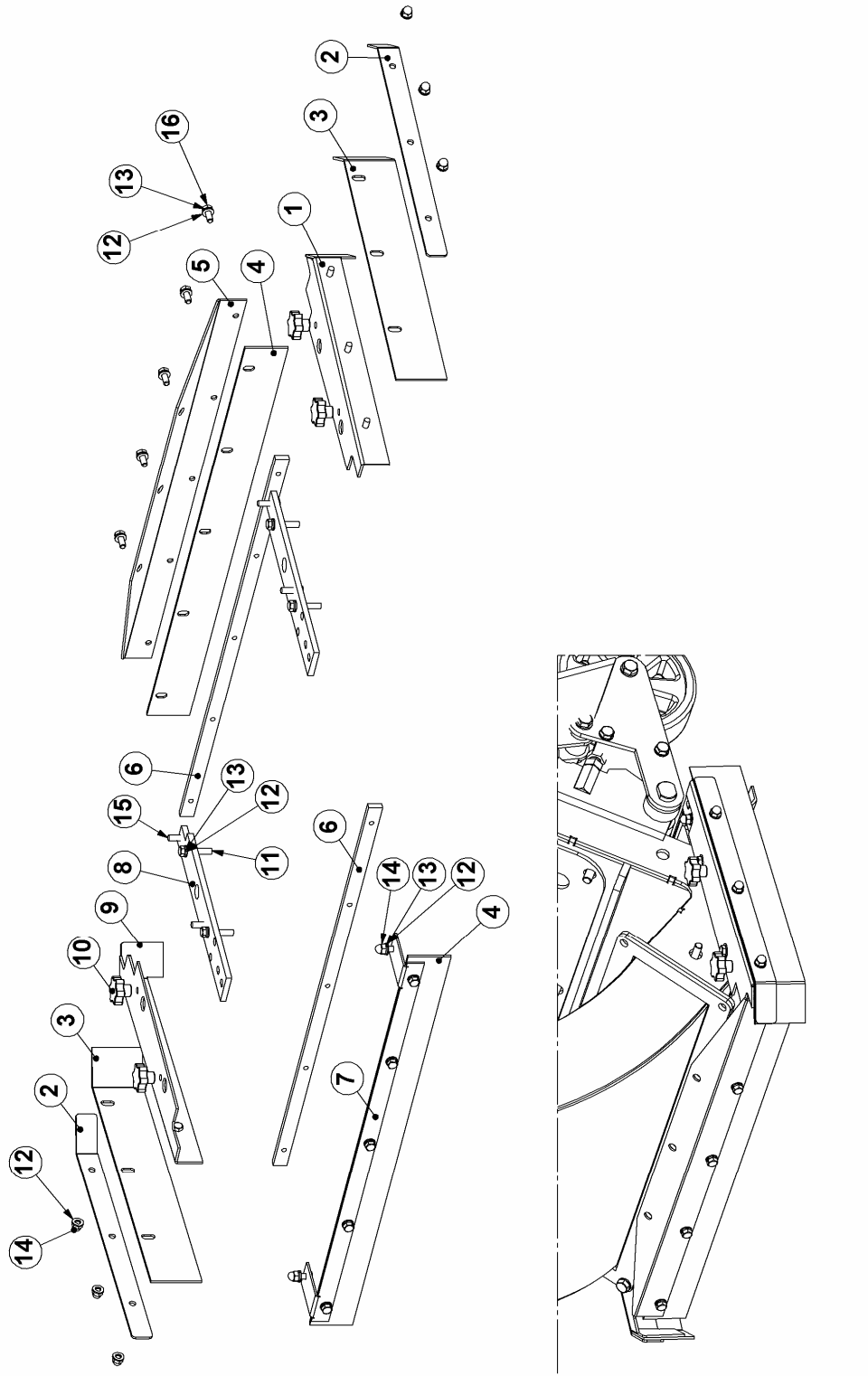
Fig. 04

Item	Part number	Description	Remarks	Qty.
1	B21303	Separator		1
2	B21297	Deflector		1
3	B21304	Separator tray		1
4	B20443	Feed spout		2
5	B20263	Separator cover		1
6	B20511	Lifting plate		1
7	E00337	Cable protection cap		4
8	B21338	Pipe clamp.35mm (set of 2)		2
9	979994	Cable pillar bracket		1
10	B20426	Cable guide support		1
11	B20425	Cable guide		1
12	B20295	Felt seal		1
13	971341	Oilite bush		2
14	1084	Clamp for separator tray		2
15	B21325	Ball head for separator		1
16	B20512	Seal retainer		1
17	B20515	Shaft cover		1
18	E00839	Cable guide twin & cable adaption plate		1
19	B21295	Magnetic valve assembly		1
20	B21295R	Magnetic valve assembly		1
21	B21329	Turnbuckle		1
22	E00652	Electrobox 2-20DT MKII		1
23	970385	Handle		1



Item	Part number	Description	Remarks	Qty.
1	B20519	Lever for control cable		1
2	B20520	Control cable		1
3	B21327	Hold angle		1
4	COZ9/1	Angle joint		3
5	B21329	Turnbuckle		1
6	B21326	Lever magnetic valve long		1
7	B21296	Lever magnetic valve		1
8	B21295R	Magnetic valve assembly		1
9	B21295	Magnetic valve assembly		1

Protection seal kit E06510 (option)



Protection seal kit E006510 (option)

Item	Part number	Description	Remarks	Qty.
1	E06501	Seal plate left		1
2	E06505	Clamp strip side		2
3	E06508	Side seal		2
4	E06509	Front / rear seal		2
5	E06503	Angle profile front		1
6	E06506	Clamp strip front		2
7	E06504	Angle profile rear		1
8	E06507	Mounting plate		2
9	E06502	Seal plate left		1
10	E03693	Disc knob plastic M8		4
11	BE0015	M8 x 40 hexagon bolt		4
12	BE0003	M8 washer		22
13	BE0005	M8 spring lock washer		16
14	BE0001	M8 hexagon domed cap nut		8
15	BE0204	Hexagon socket thin head cap		4
16	BE0009	M8x20 hexagon bolt		10



2. Maintenance box complete E02035

Item	Part number	Description	Remarks	Qty.
1	001071	Metal box		1
2	B20536K	Tune up kit		6
3	B21313	Side liner LH		1
4	B21312	Side liner RH		1
5	B21316	Centre liner		1
6	B20325	Top liner		2
7	B20520	Control cable		1
8	491522	Belt		2
9	E00457	Side strip brush RH		1
10	E00458	Side strip brush LH		1
11	B21330	Front brush		1
12	B21320	Skid seal		1
13	001017	Open-end spanner 10 x 11		1
14	001018	Open-end spanner 13 x 15		1
15	001019	Open-end spanner 17 x 19		1
16	B21334	Open-end spanner 24 x 30		1
17	000114	Ratchet spanner ½"		1
18	000146	Box spanner 13		1
19	000147	Box spanner 17		1
20	000148	Box spanner 19		1
21	B21335	Box spanner 30		1
22	B21336	Extension piece 250mm		1
23	000150	Box spanner SW 8mm 120lg		1
24	001033	Allenkey 3		1
25	001016	Allenkey 6		1
26	001015	Allenkey 8		1
27	001032	Screwdriver 5,5x100		1
28	001035	Insulated screwdriver		1
29	001056	Water pump pliers		1
30	000151	Hammer		1
31	001031	Safety glasses		1

Headquarter

*Blastrac BV The Netherlands
Utrechthaven 12
NL - 3433 PN Nieuwegein
Tel: 0031 (0)30 601 88 66
Fax: 0031 (0)30 601 83 33
info@blastrac.nl*

*Blastrac United Kingdom
Unit 2, Outgang Lane, Dinnington
Sheffield, South Yorkshire
GB – S25 3QU, England
Tel: 0044 (0) 1909 569 118
Fax: 0044 (0) 1909 567 570
info@blastrac.co.uk*

*Blastrac France
ZI
29, Avenue des Temps Modernes
F – 86360 Chasseneuil du Poitou
Tel: 0033 (0)5 49 00 49 20
Fax: 0033 (0)5 49 00 49 21
info@blastrac.fr*

*Blastrac Spain
Calle Copernico, 16
Nave 2
E – 28820 Coslada
Tel: 0034 91 660 10 65
Fax: 0034 91 672 72 11
info@blastrac.com.es*

*Blastrac Germany
Mathias Brüggén Straße 144
D – 50829 Köln (Ossendorf)
Tel: 0049 (0) 221 70 90 32 0
Fax: 0049 (0) 221 70 90 32 22
info@blastrac.de*

*Blastrac Poland
Golina, Dworcowa 47a
63-200 Jarocin
Tel: 0048 62 740 40 27
Fax: 0048 62 740 40 27
info@blastrac.pl*

